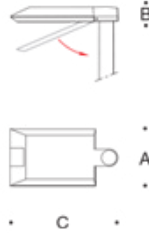


Tools Required:

- 4mm hex key
- 13mm socket wrench



Dimensions

- A:** 10"
- B:** 2-3/8"
- C:** 17-3/8"



Protection Class: IP66

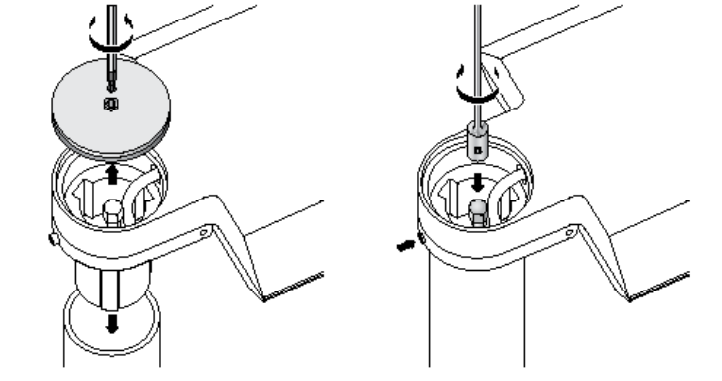
Weight: 9.48 lbs.

Notice to Installer for 99 491:

1. See page 2 for specific product safety warnings.
2. For pole top applications only.
3. Slip fits 3" O.D. poles only.
4. Pole inner dimension 2-5/16" MINIMUM.
5. LED module and integral driver provided by BEGA.
6. Pole top luminaire supplied with 25 feet of cable to route through pole.
7. Do NOT remove moisture absorption packet from luminaire housing.

99 491 - installation:

1. Loosen hex screw on pole cap and remove pole cap.
 2. Lead luminaire wires into top of pole and through to the base.
 3. Secure luminaire head to pole by tightening 13mm hex nut to engage pole fitter expansion mechanism (See Figure). Torque - 8.85 ft-lb MAXIMUM.
 Note: IF TORQUE ALLOWANCE IS EXCEEDED POLE FITTER CAN BE DAMAGED AND LUMINAIRE WARRANTY WILL BE VOID.
 4. Secure outer 4mm set screw on luminaire housing.
 5. Replace slip fitter cap and tighten cap hex screw.
 6. Make supply wiring and luminaire wiring connections inside pole base:
 MAIN VOLTAGE SUPPLY WIRE TO BLACK LUMINAIRE WIRE
 NEUTRAL (COMMON) SUPPLY WIRE TO WHITE LUMINAIRE WIRE
 GREEN GROUND WIRE TO GREEN LUMINAIRE WIRE
- Dimming (if applicable):
 DIMMING CONTROL WIRE (+) TO POSITIVE LUMINAIRE DIM CONTROL WIRE
 DIMMING CONTROL WIRE (-) TO NEGATIVE LUMINAIRE DIM CONTROL WIRE



Relamping/Maintenance

No relamping necessary.

Accessories

Please refer to the appropriate accessory installation sheet for further instruction when applicable.

Replacement Parts

Description	Part No
LED Driver	75985-01
LED Module (3000K)	(x2) LED-0850/830
LED Module (4000K)	(x2) LED-0850/840

Lamp: 15.8W LED Module

In the interest of product improvement, BEGA reserves the right to make technical changes without notice.

Product Safety Warnings:

CAUTION - RISK OF FIRE. THIS PRODUCT MUST BE INSTALLED IN ACCORDANCE WITH THE APPLICABLE INSTALLATION CODE BY A PERSON FAMILIAR WITH THE CONSTRUCTION AND OPERATION OF THE PRODUCT AND THE HAZARDS INVOLVED. SUITABLE FOR WET LOCATIONS.

MIN 60°C SUPPLY CONDUCTORS.

ATTENTION - RISQUE D'INCENDIE, CE PRODUIT DOIT ÊTRE INSTALLÉ SELON LE CODE D'INSTALLATION PERTINENT, PAR UNE PERSONNE QUI CONNAÎT BIEN LE PRODUIT ET SON FONCTIONNEMENT AINSI QUE LES RISQUES INHÉRENTS. CONVIENT AUX EMPLACEMENTS MOUILLÉS.

LES FILS D'ALIMENTATION 60°C MIN.
