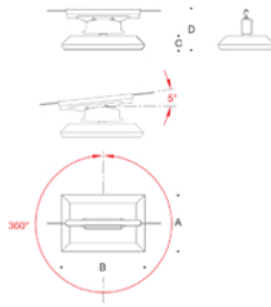


Tools Required:

- 3mm hex key
- 5mm hex key
- 6mm hex key
- Flat head screw driver medium
- Adjustable wrench



Dimensions

- A:** 12-1/4 "
- B:** 18-1/8 "
- C:** 3 "
- D:** 9 "



Protection Class: IP66

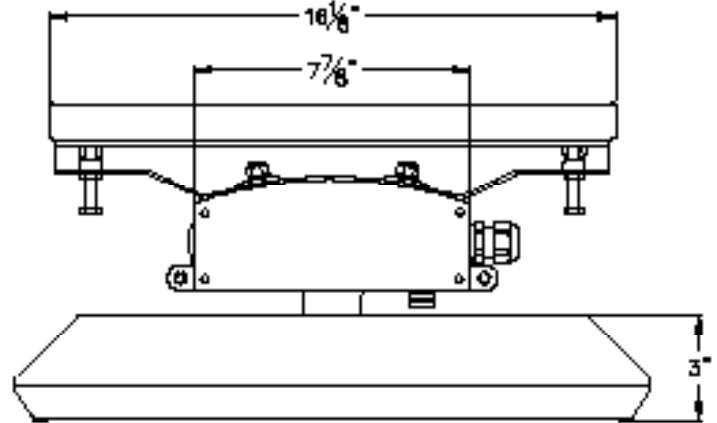
Weight: 18 lbs

Notice to Installer for 99 458:

1. BEGA luminaires may be damaged if connected to conduit systems containing water- Article 300-5G of National Electric Code requires that "Conduits or raceways through which moisture may contact energized live parts shall be sealed or plugged at either or both ends".
2. This product must be installed in accordance with the applicable installation code by a person familiar with the construction and operation of the product and the hazards involved.
3. The cable hanger system of the luminaire is suitable for transverse suspension systems and longitudinal chain systems.
4. Integral LED module and LED driver supplied by BEGA.
5. Do NOT remove moisture absorption packet from luminaire housing
6. **WARNING:** LEDs are high quality electrical components. Please avoid touching them directly during installation.

99 458 - installation:

1. Place cable hanger with luminaire onto the tension cable (3/16" to 7/16" cable) (by others). Align unit axially.
2. Tighten 6mm hex screws to attach luminaire (cable clamp) to tension cable.
3. Secure 6mm hex screws with lock nut.
4. Loosen (4) 5mm hex screws and remove connection box cover to allow for main supply cable (provided by others) wiring to be accessible in
5. Make supply wiring and luminaire wiring connections inside the connection box (by others):
 - MAIN VOLTAGE SUPPLY WIRE TO BLACK LUMINAIRE WIRE
 - NEUTRAL (COMMON) SUPPLY WIRE TO WHITE LUMINAIRE WIRE
 - GREEN GROUND WIRE TO GREEN LUMINAIRE WIRE
- Dimming (if applicable):
 - DIMMING CONTROL WIRE (+) TO POSITIVE DRIVER DIM CONTROL WIRE
 - DIMMING CONTROL WIRE (-) TO NEGATIVE DRIVER DIM CONTROL WIRE
6. Tighten supply cable strain relief and replace connection box cover.
7. If no through wiring is done, one screw cable gland must be closed with a "dummy" plug.
8. For vertical alignment of the fixture, loosen (2) M8 cap screws on top of connection box. Slide fixture to correct alignment (up to 15 degrees). Tighten (2) M8 cap screws.
9. For horizontal alignment (360 degrees) of the fixture, loosen (3) 3mm hex set screws on "neck" of fixture below connection box. Rotate to correct alignment. Tighten (3) 3mm set screws.



Relamping/Maintenance

No relamping necessary.

Accessories

Please refer to the appropriate accessory installation sheet for further instruction when applicable.

Replacement Parts

Description	Part No
Face Plate	FP9458
LED Driver	75983-02
LED Module (3000K)	(x4) LED-0363/830
LED Module (4000K)	(x4) LED-0363/840

Lamp: 31.6W LED

In the interest of product improvement, BEGA reserves the right to make technical changes without notice.

Product Safety Warnings:

THIS PRODUCT MUST BE INSTALLED IN ACCORDANCE WITH THE APPLICABLE INSTALLATION CODE BY A PERSON FAMILIAR WITH THE CONSTRUCTION AND OPERATION OF THE PRODUCT AND THE HAZARDS INVOLVED. SUITABLE FOR WET LOCATIONS.

MIN 90°C SUPPLY CONDUCTORS.

CE PRODUIT DOIT ÊTRE INSTALLÉ SELON LE CODE D'INSTALLATION PERTINENT, PAR UNE PERSONNE QUI CONNAÎT BIEN LE PRODUIT ET SON FONCTIONNEMENT AINSI QUE LES RISQUES INHÉRENTS. CONVIENT AUX EMPLACEMENTS MOUILLÉS.

LES FILS D'ALIMENTATION 90°C MIN.
