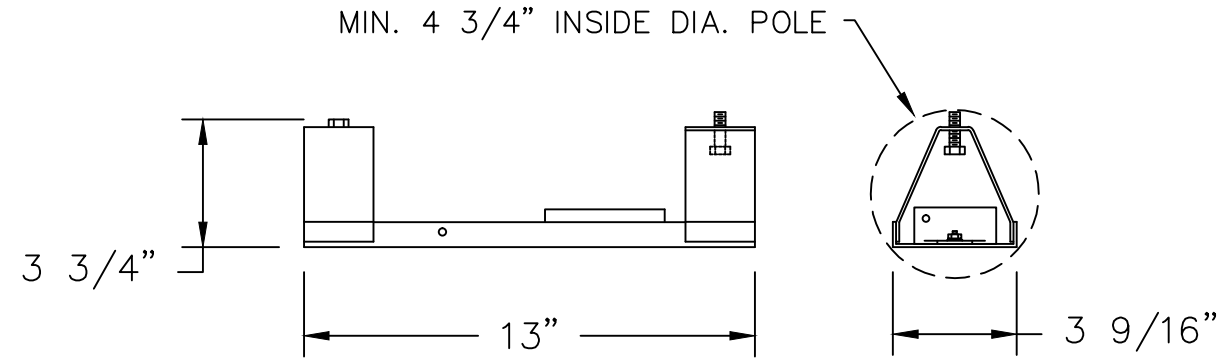
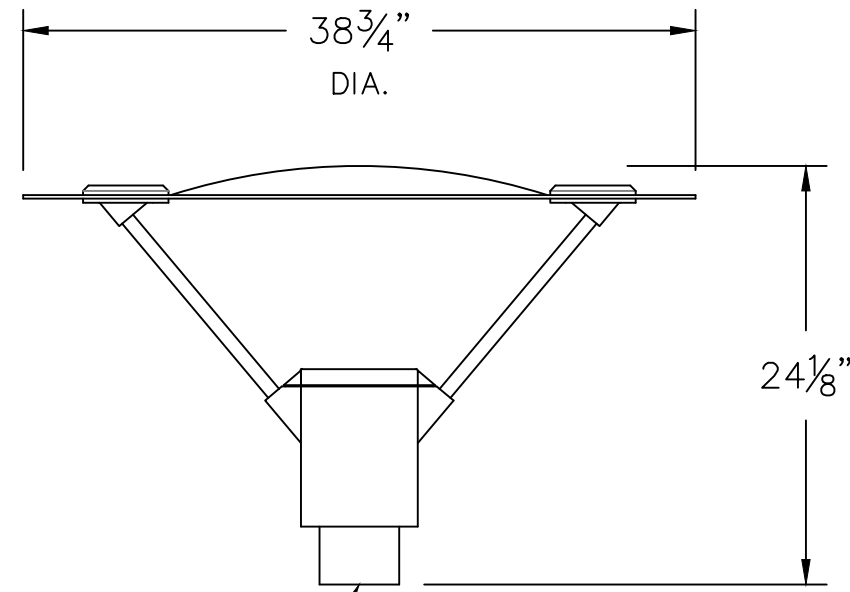
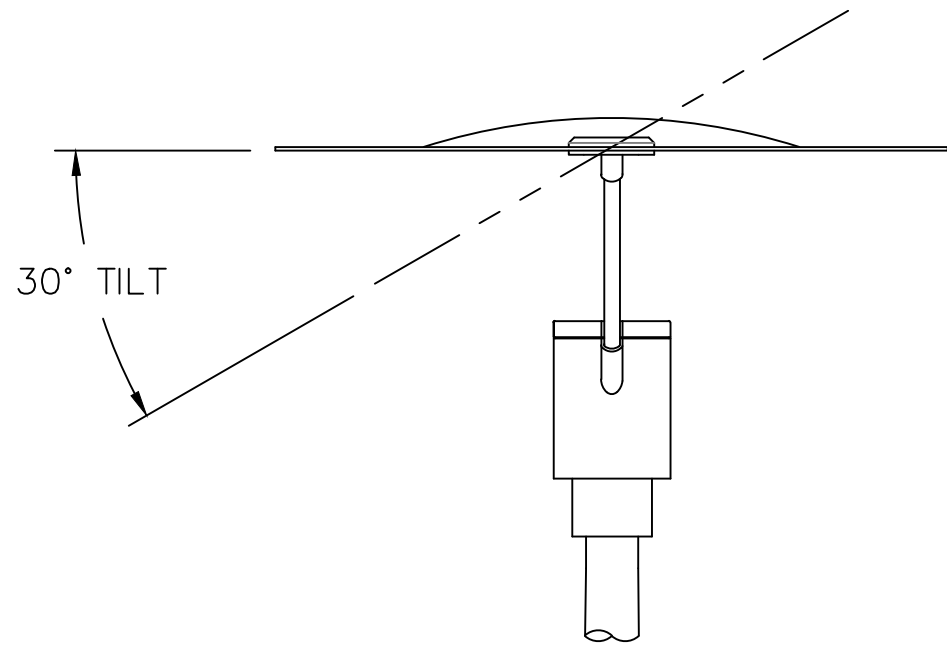


NOTES :

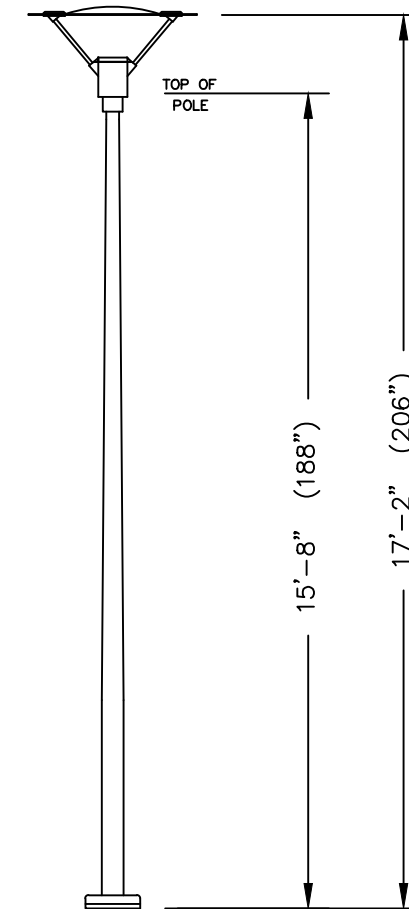
- 1. LUMINAIRE 88 309 – SEE SPECIFICATIONS;



**PBM ASSEMBLY DETAIL**



SLIP FITS 3" O.D. POLE OR TENON  
 (REQUIRES A MINIMUM 3 1/2" LENGTH OF STRAIGHT DIA. POLE/TENON)



**SHOWN ON 1508HR**

**TYPE:** \_\_\_\_\_

**SUBMITTAL APPROVAL**

APPROVED BY: \_\_\_\_\_

SIGNED: \_\_\_\_\_ DATE: \_\_\_\_\_

| REV. | DATE | DESCRIPTION |
|------|------|-------------|
|      |      |             |

CAT NO.: 88 309

PROJECT: -

LOCATION: -

DRAWN: HA

DATE: 4/6/2016

FILE NAME: 88309.dxf

**BEGA**

1000 Bega Way  
 Carpinteria, Ca. 93013  
 (805) 684-0533

This print contains confidential information which is the property of BEGA U.S. By acceptance this information, the borrower agrees that it will not be used for any other purpose other than that which is loaned.