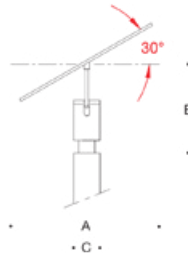


Tools Required:

- 5mm hex key
- 6mm hex key
- 8mm hex key
- Adjustable wrench



Dimensions

- A:** 39-3/8 "
- B:** 24-1/4 "



Protection Class: IP65

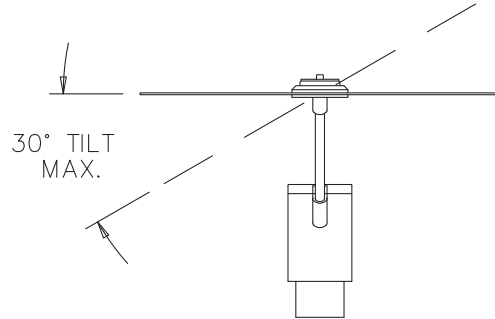
Weight: 50.0 lbs.

Notice to Installer for 88 309:

1. For pole top applications only.
2. Slip fits 3" O.D. pole top or tenon.
3. Luminaire requires ballast mounted in minimum 5" butt hinge base pole. **NOTE:** Lower pole before installing luminaire and ballast tray.
4. Luminaire requires at least 3-1/2" of straight diameter pole or tenon.

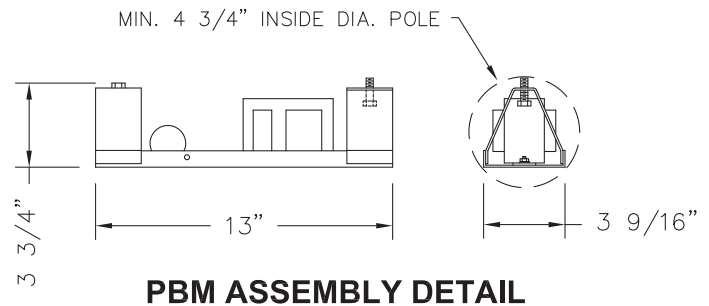
88 309 assembly:

1. Loosen the (2) 8mm hex screws at the top of the support rods and remove screws and fixing plates.
2. Attach the reflector disk to the support rods by positioning the joint shells over the joint bearings. Make sure the drip edges are oriented downwards.
3. Replace the fixing plates and screws.
4. Tilt the reflector to the desired orientation (0-30 degrees). Consult factory for non-adjustability option.
5. Tighten the (2) 8mm screws to secure in place.



88 309 - installation:

1. Carefully hinge down pole, exposing bottom of pole.
2. Route the luminaire wiring through to the pole top base and slip luminaire over the top of the pole.
3. Tighten the (8) 5mm set screws evenly to secure to pole.
4. Make wiring connections from luminaire wires to gear tray wires:
 BLACK LUMINAIRE WIRE TO BLACK MARKED SOCKET WIRE
 WHITE LUMINAIRE WIRE TO WHITE MARKED SOCKET WIRE
 GREEN LUMINAIRE WIRE TO GREEN GROUND WIRE
5. Place the gear tray in the base of the pole and tighten the 5/16" hex bolt to wedge inside pole and secure.
6. Make supply wiring connections to gear tray wires:
 MAIN VOLTAGE SUPPLY WIRE TO BLACK DRIVER WIRE
 NEUTRAL (COMMON) SUPPLY WIRE TO WHITE DRIVER WIRE
 GREEN GROUND WIRE TO GREEN DRIVER WIRE
7. Replace pole to upright position and secure by tightening (3) base bolts.
IMPORTANT: PLEASE NOTE THE WEIGHT OF LUMINAIRE HEAD ON POLE AND TAKE CAUTION ACCORDINGLY DURING POLE TILT



Relamping/Maintenance

No relamping required.

Accessories

Please refer to the appropriate accessory installation sheet for further instruction when applicable.

Replacement Parts

Description	Part No
Lens	140273
Lens gasket	830647
Reflector disc	710945

Lamp: 55.3W LED

Driver (120-277V)	75976
LED Module (3000K)	LED-0721/830
LED Module (4000K)	LED-0721/840

In the interest of product improvement, BEGA reserves the right to make technical changes without notice.

Product Safety Warnings:

THIS PRODUCT MUST BE INSTALLED IN ACCORDANCE WITH THE APPLICABLE INSTALLATION CODE BY A PERSON FAMILIAR WITH THE CONSTRUCTION AND OPERATION OF THE PRODUCT AND THE HAZARDS INVOLVED. SUITABLE FOR WET LOCATIONS.

MIN 60°C SUPPLY CONDUCTORS.

CE PRODUIT DOIT ÊTRE INSTALLÉ SELON LE CODE D'INSTALLATION PERTINENT, PAR UNE PERSONNE QUI CONNAÎT BIEN LE PRODUIT ET SON FONCTIONNEMENT AINSI QUE LES RISQUES INHÉRENTS. CONVIENT AUX EMPLACEMENTS MOUILLÉS.

LES FILS D'ALIMENTATION 60°C MIN.
