

- Tools Required:**  
 4mm hex key  
 5mm hex key  
 8mm hex key  
 Special tool (provided)

**Protection Class:** IP 65

**Weight:** 77.6 lbs.



**Dimensions**

- A:** 6-5/8 "  
**B:** 23-5/8 "  
**C:** 177 "  
**D:** 31-1/2 "



**Notice to Installer for 88 067:**

1. See page 2 for specific product safety warnings.
2. Luminaire is rated for direct burial installations.
3. Consult structural engineer and local codes for burial and foundation size and specs.
4. Proper drainage below and around the buried portion of the luminaire **MUST** be provided. Failure to do so may void warranty.
5. Wet location listing does not imply suitability for exposure to standing water for long periods of time.
6. Fixture may be damaged if connected to conduit systems that contain water - Article 300-5G of the National Electric Code requires that "Conduits or raceways through which moisture may contact energized live parts shall be sealed or plugged at either or both ends."
7. LEDs are high-quality electronic components! Please avoid touching the light output opening of the LED directly during installation.

**88 067 installation:**

1. Pull supply wiring to a length where splices can be seen and made through the access door.
2. Fix ground plate to pole per Figure 3.
3. Route supply wiring through the mounting base and install pole (Figure 1, Figure 4).  
**NOTE: SIZE OF THE FOUNDATION REQUIRED TO SET THE UNIT IN CONCRETE MUST BE DETERMINED AT SITE BY STRUCTURAL ENGINEER.**
4. Use special tool provided to unlock the access door lock and remove access door. Route the luminaire wiring down to the hand hold for connections.
5. Make supply wiring and luminaire wiring connections inside the luminaire:  
 MAIN VOLTAGE SUPPLY WIRE TO BLACK LUMINAIRE WIRE  
 NEUTRAL (COMMON) SUPPLY WIRE TO WHITE LUMINAIRE WIRE  
 GREEN GROUND WIRE TO GREEN LUMINAIRE WIRE  
 Dimming (if applicable):  
 DIMMING CONTROL WIRE (+) TO POSITIVE DRIVER DIM CONTROL WIRE  
 DIMMING CONTROL WIRE (-) TO NEGATIVE DRIVER DIM CONTROL WIRE.
6. Install luminaire head and secure into place by tightening set screw (Figure 2)
7. Replace access door and lock.

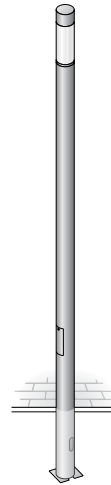


Figure 1

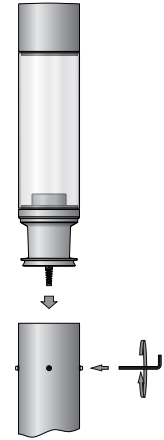


Figure 2

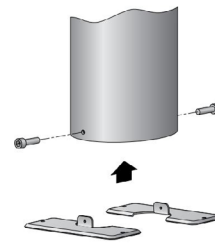


Figure 3

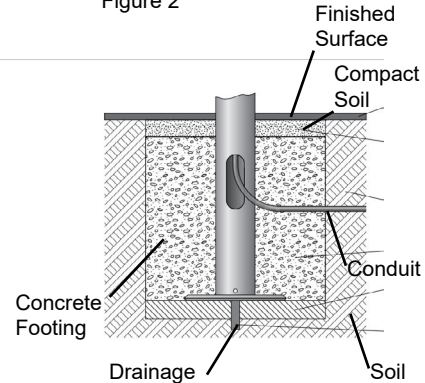


Figure 4

**NOTE: Consult engineer and local codes for direct burial specification.**

**Relamping/Maintenance**

No relamping required.

**Lamp:** 31W LED

**Accessories**

Please refer to the appropriate accessory installation sheet for further instruction when applicable.

**Replacement Parts**

Description	Part No
Diffuser	150375.7
Gasket (x2)	831248
Driver (120-277V)	76004-02
LED Module (3000K)	LED-0431/830
LED Module (4000K)	LED-0431/840

In the interest of product improvement, BEGA reserves the right to make technical changes without notice.

**Product Safety Warnings:**

**CAUTION- RISK OF FIRE. THIS PRODUCT MUST BE INSTALLED IN ACCORDANCE WITH THE APPLICABLE INSTALLATION CODE BY A PERSON FAMILIAR WITH THE CONSTRUCTION AND OPERATION OF THE PRODUCT AND THE HAZARDS INVOLVED.**

**SUITABLE FOR WET LOCATIONS.**

**MIN 90°C SUPPLY CONDUCTORS.**

**ATTENTION- RISQUE D'INCENDIE. CE PRODUIT DOIT ÊTRE INSTALLÉ SELON LE CODE D'INSTALLATION PERTINENT, PAR UNE PERSONNE QUI CONNAÎT BIEN LE PRODUIT ET SON FONCTIONNEMENT AINSI QUE LES RISQUES INHÉRENTS.**

**CONVIENT AUX EMPLACEMENTS MOUILLÉS.**

**LES FILS D'ALIMENTATION 90°C MIN.**

---