

Tools Required:

- Adjustable wrench
- 1/2" nut driver
- 3mm hex key



Dimensions

- A:** 6-1/8 "
- B:** 36-7/8 "
- C:** 9-1/2 "



Protection Class: IP65

Weight: 26.5 lbs.

Notice to Installer for 88 060:

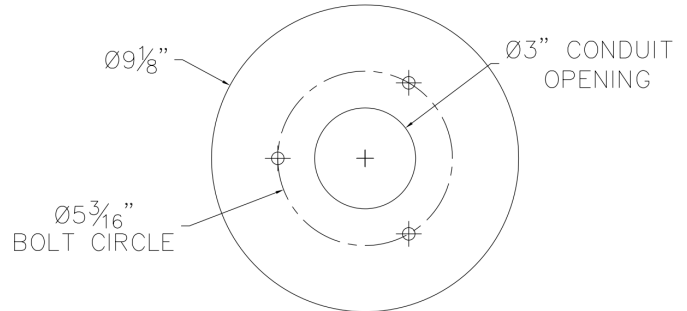
1. Fixture may be damaged if connected to conduit systems that contain water - Article 300-5G of the National Electric Code requires that "Conduits or raceways through which moisture may contact energized live parts shall be sealed or plugged at either or both ends."
2. 79 818 anchorage kit (included) must be installed in concrete pad/foundation.
3. It is recommended that when installing in planting areas the bollard base be slightly elevated to avoid prolonged submerging during heavy rains.
4. Wet location listing does not imply suitability for exposure to standing water for long periods of time.
5. LEDs are high-quality electronic components! Please avoid touching the light output opening of the LED directly during installation.

79 818 anchorage installation:

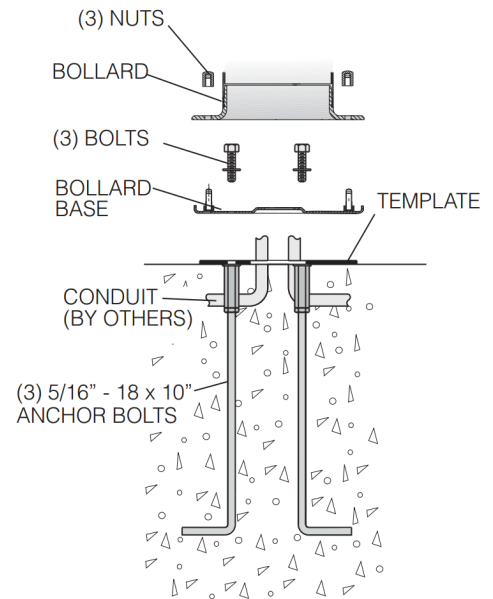
1. Provide means to bring supply wiring to the bollard in accordance with local code. The template has a 3" conduit hole for conduit entry.
2. Assemble anchorage kit. Unscrew the (3) hex bolts from the female couplers. Remove each hex bolt and washer. Align each anchor bolt with the hole in the template. Attach each anchor bolt to the template by replacing the washer and hex bolt and tightening.
3. Determine the finished grade for the application. Use leveling hardware to adjust template to desired finished height after pouring.
4. Install anchorage kit using either method:
 - A. Attach template to forming or cross bracing using the (2) nail holes provided in the template. Level template properly. Pour concrete.
 - B. Insert anchorage assembly into poured concrete. Concrete must be vibrated to ensure proper anchorage setting. Level template properly.

88 060 installation:

1. Remove (3) hex bolts and washers, once anchorage is set.
2. Leave template in place to provide a smooth, flat surface to mount the base.
3. Undo (4) nuts and remove bollard from base.
4. Align base plate holes with anchorage holes.
5. Bolt the base plate to the anchorage kit using the (3) hex bolts and washers.
6. Make supply wiring connections to wire leads from driver inside the fixture
 - MAIN VOLTAGE SUPPLY WIRE TO BLACK DRIVER WIRE;
 - NEUTRAL (COMMON) SUPPLY WIRE TO WHITE DRIVER WIRE;
 - GREEN GROUND WIRE TO GREEN DRIVER WIRE.
- Dimming (if applicable):
 - DIMMING CONTROL WIRE (+) TO POSITIVE DRIVER DIM CONTROL WIRE
 - DIMMING CONTROL WIRE (-) TO NEGATIVE DRIVER DIM CONTROL WIRE
7. Place the bollard over the base plate so that the (4) holes match up with threaded rods.
8. Secure bollard to base by tightening nuts.



79 818 ANCHOR KIT



Relamping/Maintenance

No relamping necessary.

Accessories

Please refer to the appropriate accessory installation sheet for further instruction when applicable.

Anchorage 79 818

Replacement Parts

Description	Part No
Lens	112654
Gasket (2x)	830804
LED Driver	75990
LED Module (3000K)	LED-0382/830
LED Module (4000K)	LED-0382/840

Lamp: 7.9W LED

Product Safety Warnings:

MIN 60°C SUPPLY CONDUCTORS.

THIS PRODUCT MUST BE INSTALLED IN ACCORDANCE WITH THE APPLICABLE INSTALLATION CODE BY A PERSON FAMILIAR WITH THE CONSTRUCTION AND OPERATION OF THE PRODUCT AND THE HAZARDS INVOLVED.

SUITABLE FOR WET LOCATIONS.

LES FILS D'ALIMENTATION 60°C MIN.

CE PRODUIT DOIT ÊTRE INSTALLÉ SELON LE CODE D'INSTALLATION PERTINENT, PAR UNE PERSONNE QUI CONNAÎT BIEN LE PRODUIT ET SON FONCTIONNEMENT AINSI QUE LES RISQUES INHÉRENTS.

CONVIENT AUX EMPLACEMENTS MOUILLÉS.
