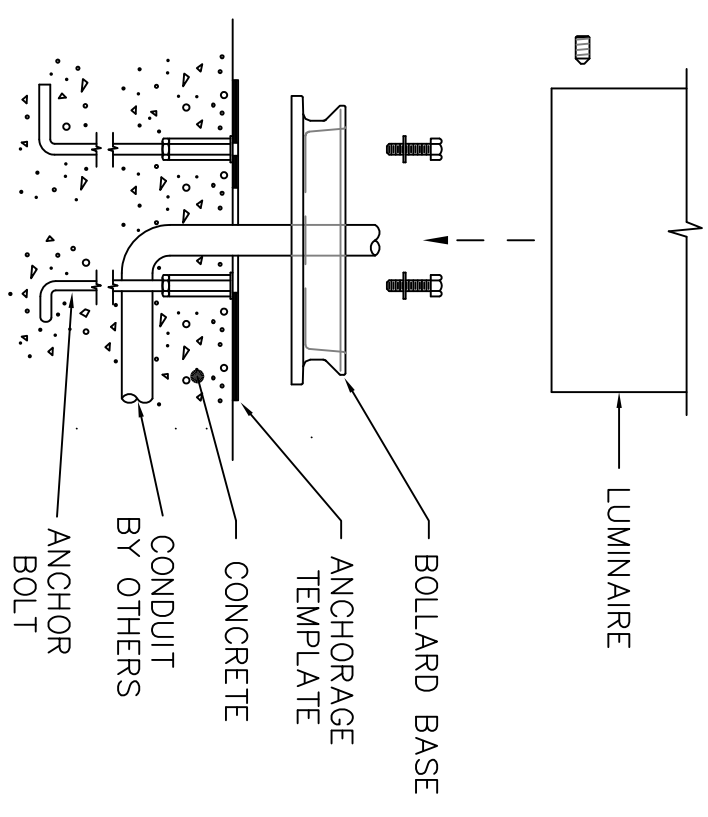
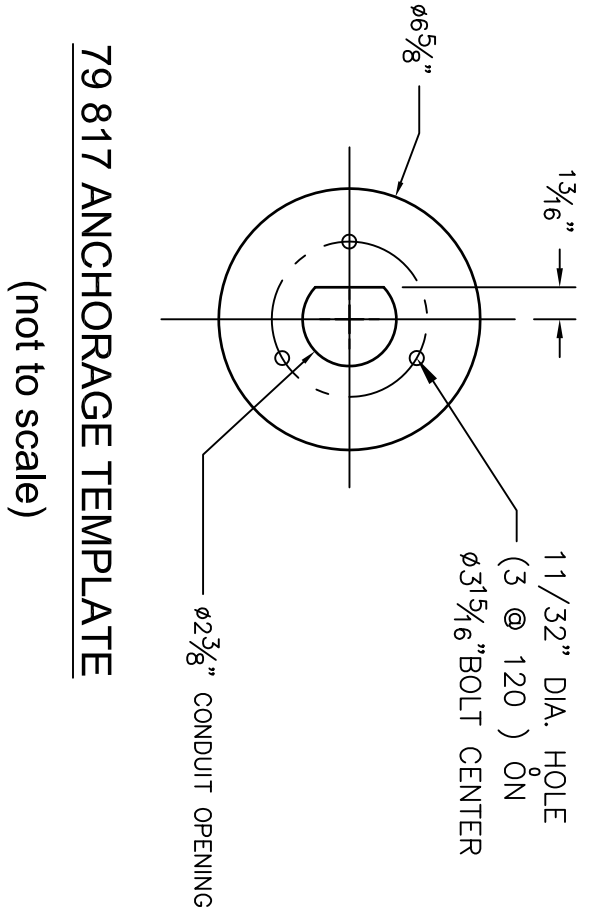




NOTE: LUMINAIRE # 84 610 – SEE SPECIFICATIONS



79 817 BASE DETAIL



79 817 ANCHORAGE TEMPLATE

(not to scale)

TYPE: _____

SUBMITTAL APPROVAL APPROVED BY: _____ SIGNED: _____ DATE: _____		CAT NO.: <u>LUMINAIRE # 84 610</u>	BEGA 1000 Bega Way Carpinteria, Ca. 93013 (805) 684-0533
		PROJECT: -	
LOCATION: -			
REV.	DATE	DESCRIPTION	DRAWN: <u>NF</u> DATE: <u>08/09/17</u> FILE NAME: <u>84610.dxf</u>

This print contains confidential information which is the property of BEGA U.S. By acceptance this information, the borrower agrees that it will not be used for any other purpose other than that which is was loaned.