

Tools Required:

- 3mm hex key
- 4mm hex key
- 1/4" masonry/concrete drill bit
- Drill

Protection Class: IP65

Weight: 25.2 lbs.



Dimensions

- A:** 3-1/2"
- B:** 43-3/8"
- C:** 6-1/2"



Notice to Installer for 84 610:

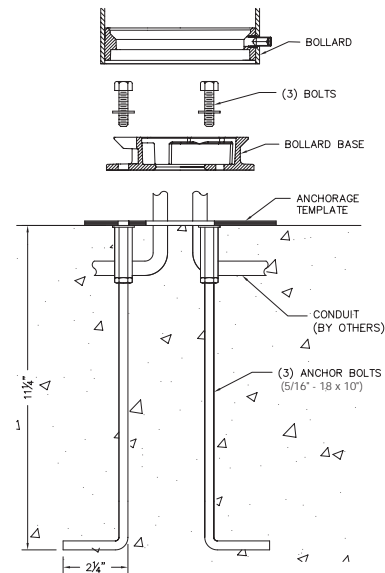
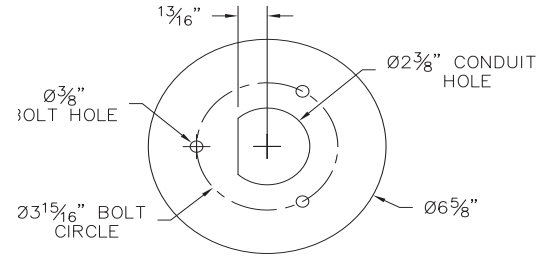
1. See page 2 for specific product safety warnings
2. Fixture may be damaged if connected to conduit systems that contain water - Article 300-5G of the National Electric Code requires that "Conduits or raceways through which moisture may contact energized live parts shall be sealed or plugged at either or both ends."
3. It is recommended that when installing in planting areas the base of the bollard be slightly elevated to avoid prolonged submerging during heavy rains.
4. Wet location listing does not imply suitability for exposure to standing water for long periods of time.
5. 79 817 anchorage kit (included) must be installed in concrete pad/foundation.
6. LED and LED driver integral, provided inside luminaire housing.
7. LEDs are high-quality electronic components! Please avoid touching the light output opening of the LED directly during installation.

79 817 anchorage installation:

1. Provide means to bring supply wiring to the bollard in accordance with local code. The template has a 2-3/8" conduit hole for conduit entry.
2. Assemble anchorage kit. Unscrew the (3) hex bolts from the female couplers. Remove each hex bolt and washer. Align each anchor bolt with the hole in the template. Attach each anchor bolt to the template by replacing the washer and hex bolt and tightening.
3. Determine the finished grade for the application. Use leveling hardware to adjust template to desired finished height after pouring.
4. Install anchorage kit using either method:
 - A. Attach template to forming or cross bracing using the (2) nail holes provided in the template. Level template properly. Pour concrete.
 - B. Insert anchorage assembly into poured concrete. Concrete must be vibrated to ensure proper anchorage setting. Level template properly.

84 610 - installation:

1. Make supply wiring and luminaire wiring connections in the luminaire base:
 - MAIN VOLTAGE SUPPLY WIRE TO BLACK LUMINAIRE WIRE
 - NEUTRAL (COMMON) SUPPLY WIRE TO WHITE LUMINAIRE WIRE
 - GREEN GROUND WIRE TO GREEN LUMINAIRE WIRE
 Dimming (if applicable):
 - DIMMING CONTROL WIRE (+) TO POSITIVE DRIVER DIM CONTROL WIRE
 - DIMMING CONTROL WIRE (-) TO NEGATIVE DRIVER DIM CONTROL WIRE
2. Mount bollard over mounting plate and tighten 4mm set screw at base to secure.



Relamping/Maintenance

Loosen (2) set screws and remove top casting with lens. Clean luminaire and lens using only solvent-free cleansers. Replace top casting and attached lens and tighten (2) set screws evenly, making sure the gasket is seated properly.

Lamp: 36.3W LED

Accessories

Please refer to the appropriate accessory installation sheet for further instruction when applicable.

Anchorage 79 817

Replacement Parts

Description	Part No
Lens	112685.2
Lens gasket (upper)	830886
Lens gasket (lower)	830591
LED Driver (120-277V)	76125-02
LED Module (4000K)	LED-0721/840
LED Module (3000K)	LED-0721/830

In the interest of product improvement, BEGA reserves the right to make technical changes without notice.

Product Safety Warnings:

THIS PRODUCT MUST BE INSTALLED IN ACCORDANCE WITH THE APPLICABLE INSTALLATION CODE BY A PERSON FAMILIAR WITH THE CONSTRUCTION AND OPERATION OF THE PRODUCT AND THE HAZARDS INVOLVED. SUITABLE FOR WET LOCATIONS.

MIN 60°C SUPPLY CONDUCTORS.

CE PRODUIT DOIT ÊTRE INSTALLÉ SELON LE CODE D'INSTALLATION PERTINENT, PAR UNE PERSONNE QUI CONNAÎT BIEN LE PRODUIT ET SON FONCTIONNEMENT AINSI QUE LES RISQUES INHÉRENTS. CONVIENT AUX EMBLEMES MOUILLES.

LES FILS D'ALIMENTATION 60°C MIN.