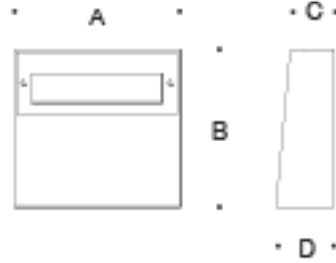


Tools Required:

- 4mm hex key
- 5/16" masonry/concrete drill bit
- Drill



Dimensions

- A: 13-3/8"
- B: 14-3/4"
- C: 3-1/2"
- D: 6-1/8"



Protection Class: IP65

Weight: 18.1 lbs

Notice to Installer for 84 081:

1. Fixture may be damaged if connected to conduit systems that contain water. Article 300-5G of the National Electric Code requires that "Conduits or raceways through which moisture may contact energized live parts shall be sealed or plugged at either or both ends."
2. It is recommended that when installing in planting areas the base of the bollard be slightly elevated to avoid prolonged submerging during heavy rains.
3. Wet location listing does not imply suitability for exposure to standing water for long periods of time.
4. 79 825 anchorage kit is installed AFTER concrete pouring. There is no anchorage installation required during concrete pouring.
5. LEDs are high-quality electronic components! Please avoid touching the light output opening of the LED directly during installation.

79 825 anchorage installation:

1. Provide means to bring supply wiring to the bollard location in accordance with local code and pour concrete for finished grade. The bollard mounting plate has a 2-3/4" diameter hole for conduit entry.
2. Loosen (2) 4mm set screws at bollard base and remove mounting plate.
3. After establishing finished grade, mark the location of the (2) anchorage drill holes using the mounting plate of the fixture as a template (Figure 1).
4. Drill (2) 5/16" holes in concrete at the marked locations.
5. Align mounting plate holes with drill holes.
6. Drive the sleeve anchors through the mounting plate and into the drilled holes until seated flush.

84 081 - installation:

1. Bolt the base plate to the anchorage kit using the (2) hex bolts and washers provided.
2. Make supply wiring connections to wire leads from driver inside the fixture
 MAIN VOLTAGE SUPPLY WIRE TO BLACK DRIVER WIRE;
 NEUTRAL (COMMON) SUPPLY WIRE TO WHITE DRIVER WIRE;
 GREEN GROUND WIRE TO GREEN DRIVER WIRE.
- Dimming (if applicable):
 DIMMING CONTROL WIRE (+) TO POSITIVE DRIVER DIM CONTROL WIRE
 DIMMING CONTROL WIRE (-) TO NEGATIVE DRIVER DIM CONTROL WIRE.
3. Place the bollard over the base plate and secure by tightening the (2) 8mm set screws (Figure 2).

Figure 1:

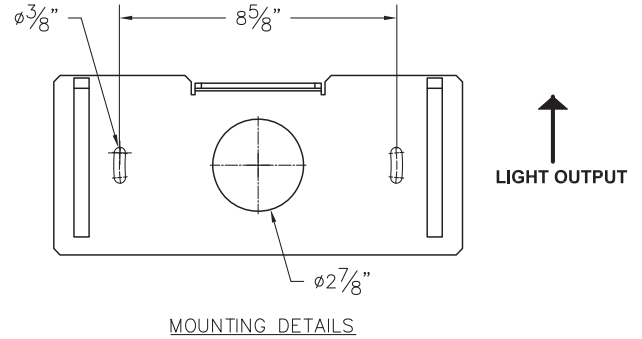
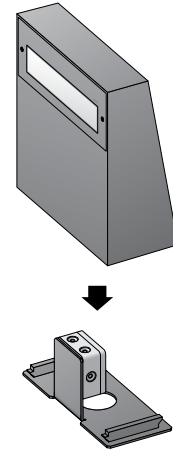


Figure 2:



Relamping/Maintenance

No relamping necessary.

Accessories

Please refer to the appropriate accessory installation sheet for further instruction when applicable.

- Anchorage Kit (included) 79 825
- Direct Burial Anchorage Kit 71 890

Replacement Parts

Description	Part No
LED Driver	76059
LED Module (3000K)	LED-0633/830
LED Module (4000K)	LED-0633/840

Lamp: 12.2W LED

In the interest of product improvement, BEGA reserves the right to make technical changes without notice.

Product Safety Warnings:

CAUTION - RISK OF FIRE. THIS PRODUCT MUST BE INSTALLED IN ACCORDANCE WITH THE APPLICABLE INSTALLATION CODE BY A PERSON FAMILIAR WITH THE CONSTRUCTION AND OPERATION OF THE PRODUCT AND THE HAZARDS INVOLVED. SUITABLE FOR WET LOCATIONS.

MIN 90°C SUPPLY CONDUCTORS.

ATTENTION - RISQUE D'INCENDIE, CE PRODUIT DOIT ÊTRE INSTALLÉ SELON LE CODE D'INSTALLATION PERTINENT, PAR UNE PERSONNE QUI CONNAÎT BIEN LE PRODUIT ET SON FONCTIONNEMENT AINSI QUE LES RISQUES INHÉRENTS. CONVIENT AUX EMPLACEMENTS MOUILLÉS.

LES FILS D'ALIMENTATION 90°C MIN.