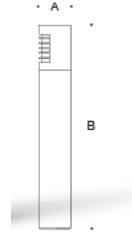


**Tools Required:**

- Adjustable wrench
- 1/2" nut driver
- 3mm hex key

**Protection Class:** IP 65

**Weight:** 6.6 lbs.



**Dimensions**

**A:** 4-3/8"

**B:** 28-3/4"



**Notice to Installer for 84 024:**

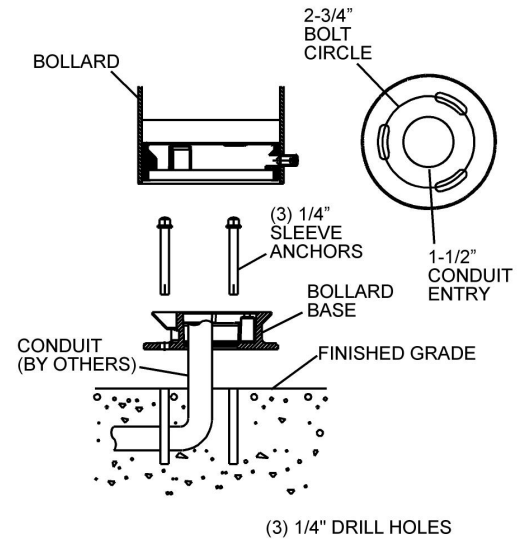
1. Fixture may be damaged if connected to conduit systems that contain water - Article 300-5G of the National Electric Code requires that "Conduits or raceways through which moisture may contact energized live parts shall be sealed or plugged at either or both ends."
2. 79 824 anchorage kit (included) must be installed in concrete pad/foundation.
3. It is recommended that when installing in planting areas the bollard base be slightly elevated to avoid prolonged submerging during heavy rains.
4. Wet location listing does not imply suitability for exposure to standing water for long periods of time.
5. LEDs are high-quality electronic components! Please avoid touching the light output opening of the LED directly during installation.

**79 824 anchorage installation:**

1. Provide means to bring supply wiring to the pillar in accordance with local code and pour concrete for finished grade. The pillar mounting plate has a 1 1/2" conduit hole for conduit entry.
2. Loosen set screw at base and remove mounting plate.
3. After establishing finished grade, mark the location of the (3) anchorage drill holes using the mounting plate of the fixture as a template.
4. Drill (3) 1/4" holes in concrete at the marked locations.
5. Align mounting plate holes with drill holes.
6. Drive the sleeve anchors through the mounting plate and into the drilled holes until seated flush.

**84 024 installation:**

1. Bolt the base plate to the anchorage kit using the (3) hex bolts and washers.
  2. Make supply wiring connections to wire leads from ballast inside the fixture  
 MAIN VOLTAGE SUPPLY WIRE TO BLACK BALLAST WIRE;  
 NEUTRAL (COMMON) SUPPLY WIRE TO WHITE BALLAST WIRE;  
 GREEN GROUND WIRE TO GREEN BALLAST WIRE.
- Dimming (if applicable):  
 DIMMING CONTROL WIRE (+) TO POSITIVE DRIVER DIM CONTROL WIRE  
 DIMMING CONTROL WIRE (-) TO NEGATIVE DRIVER DIM CONTROL WIRE
3. Place the bollard over the base plate so that the (3) notches in the base plate align with the top. Lock fixture into place by turning bollard 1/4" turn.
  4. Secure the bollard by tightening the 3mm set screw at the base.



**Relamping/Maintenance**

No relamping required.

**Accessories**

Please refer to the appropriate accessory installation sheet for further instruction when applicable.

Anchorage 79 824

**Replacement Parts**

Description	Part No
Diffuser	1100322141
Driver (120V-277V)	76104
LED Module (3000K)	LED-0794/830
LED Module (4000K)	LED-0794/840

**Lamp:** 3.9W LED

In the interest of product improvement, BEGA reserves the right to make technical changes without notice.

## Product Safety Warnings:

**THIS PRODUCT MUST BE INSTALLED IN ACCORDANCE WITH THE APPLICABLE INSTALLATION CODE BY A PERSON FAMILIAR WITH THE CONSTRUCTION AND OPERATION OF THE PRODUCT AND THE HAZARDS INVOLVED. SUITABLE FOR WET LOCATIONS.**

**MIN 90°C SUPPLY CONDUCTORS.**

**CE PRODUIT DOIT ÊTRE INSTALLÉ SELON LE CODE D'INSTALLATION PERTINENT, PAR UNE PERSONNE QUI CONNAÎT BIEN LE PRODUIT ET SON FONCTIONNEMENT AINSI QUE LES RISQUES INHÉRENTS. CONVIENT AUX EMPLACEMENTS MOUILLÉS.**

**LES FILS D'ALIMENTATION 90°C MIN.**