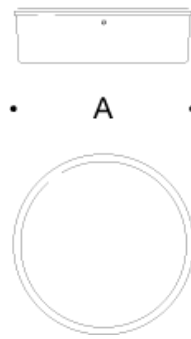


**Tools Required:**

- Phillips medium screwdriver
- Standard medium screwdriver



•  
B  
•

**Dimensions**

- A: 11-3/4 "
- B: 3-5/8 "



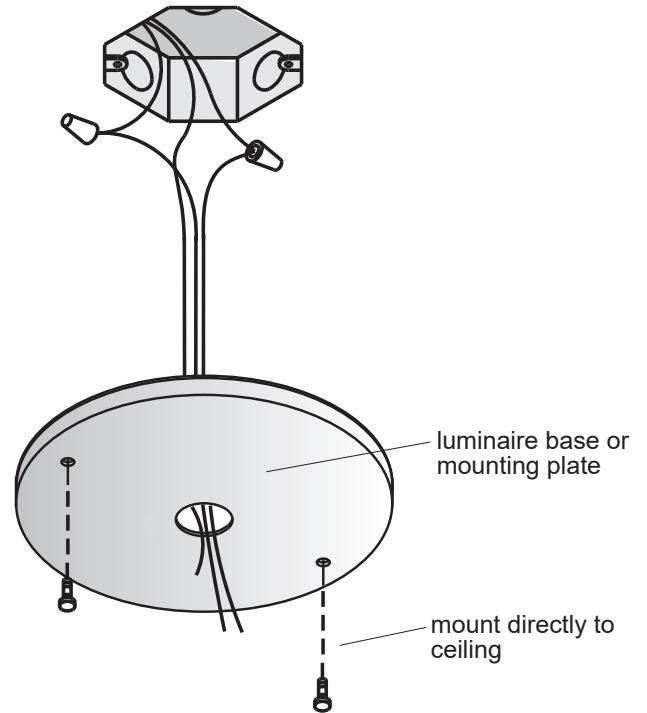
**Weight:** 7.72 lbs.

**Notice to Installer for 78 635:**

1. Rated for damp locations - for interior applications only.
2. Luminaire mounting canopy mounts directly to finished surface over standard recessed 4" octagonal wiring box (by others).
3. LEDs are high quality electronic components! Please avoid touching the light output opening of the LED directly during installation.

**78 635 installation:**

1. Remove glass by unscrewing.
2. Route wires through luminaire base
3. Make supply wiring and luminaire wiring connections inside wiring box:  
 MAIN VOLTAGE SUPPLY WIRE TO BLACK LUMINAIRE WIRE  
 NEUTRAL (COMMON) SUPPLY WIRE TO WHITE LUMINAIRE WIRE  
 GREEN GROUND WIRE TO GREEN LUMINAIRE WIRE
- Dimming (if applicable):  
 DIMMING CONTROL WIRE (+) TO POSITIVE DRIVER DIM CONTROL WIRE  
 DIMMING CONTROL WIRE (-) TO NEGATIVE DRIVER DIM CONTROL WIRE
4. Attach luminaire base to finished surface using appropriate hardware (by others)
5. Replace glass by screwing in clockwise.



**Relamping/Maintenance**

Clean dirt and deposits from the luminaire and glass using only solvent-free cleaners. No relamping required.

**Accessories**

Please refer to the appropriate accessory installation sheet for further instruction when applicable.

**Replacement Parts**

Description	Part No
Glass	11283611
LED Module (3000K)	LED-0293/930
LED Module (4000K)	LED-0293/940
Driver (120V-277V)	76070

**Lamp:** 11.6W LED

**Product Safety Warnings:**

**THIS PRODUCT MUST BE INSTALLED IN ACCORDANCE WITH THE APPLICABLE INSTALLATION CODE BY A PERSON FAMILIAR WITH THE CONSTRUCTION AND OPERATION OF THE PRODUCT AND THE HAZARDS INVOLVED. SUITABLE FOR DAMP LOCATIONS.**

**MIN 90°C SUPPLY CONDUCTORS.**

**CE PRODUIT DOIT ÊTRE INSTALLÉ SELON LE CODE D'INSTALLATION PERTINENT, PAR UNE PERSONNE QUI CONNAÎT BIEN LE PRODUIT ET SON FONCTIONNEMENT AINSI QUE LES RISQUES INHÉRENTS. CONVIENT AUX EMPLACEMENTS HUMIDES.**

**LES FILS D'ALIMENTATION 90°C MIN.**