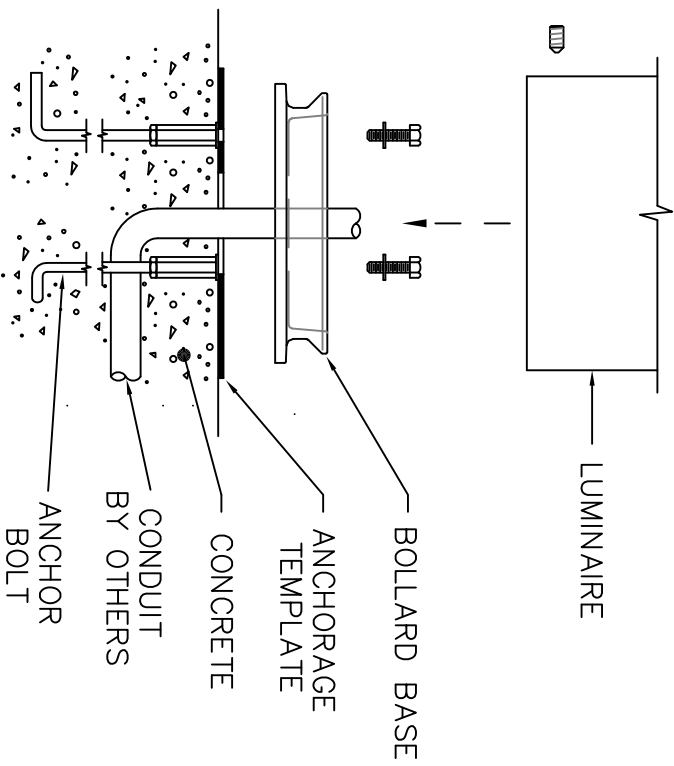
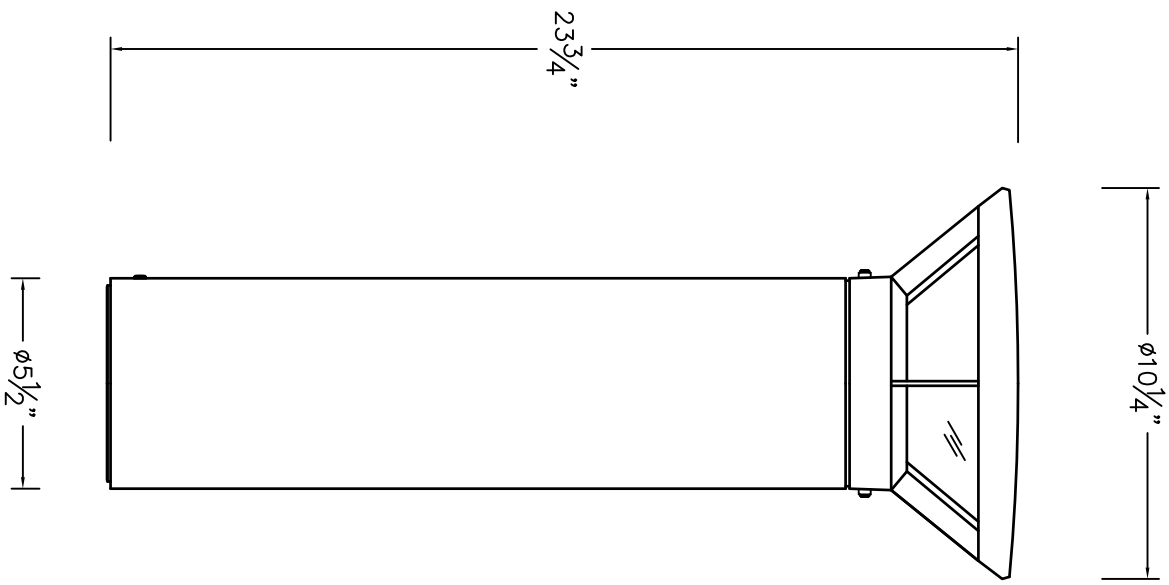
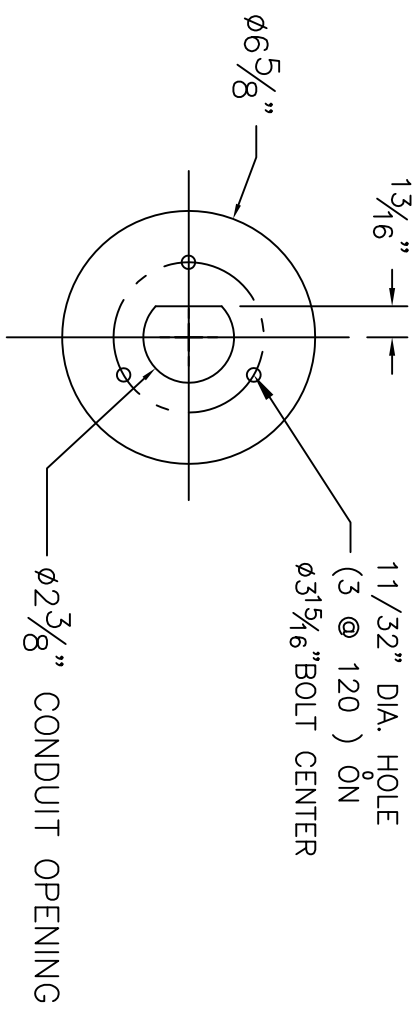


NOTE: LUMINAIRE #77 586 – SEE SPECIFICATIONS;



79 817 BASE DETAIL



79 817 ANCHORAGE TEMPLATE

(not to scale)

TYPE: \_\_\_\_\_

**SUBMITTAL APPROVAL**

APPROVED BY: \_\_\_\_\_

SIGNED: \_\_\_\_\_ DATE: \_\_\_\_\_

CAT NO.: 77 586

PROJECT: -

LOCATION: -

DRAWN: RA DATE: 8/21/2017 FILE NAME: 77586.dxf

**BEGA**

1000 Bega Way  
Carpinteria, Ca. 93013  
(805) 684-0533

REV.	DATE	DESCRIPTION

This print contains confidential information which is the property of BEGA U.S. By acceptance this information, the borrower agrees that it will not be used for any other purpose other than that which is was loaned.