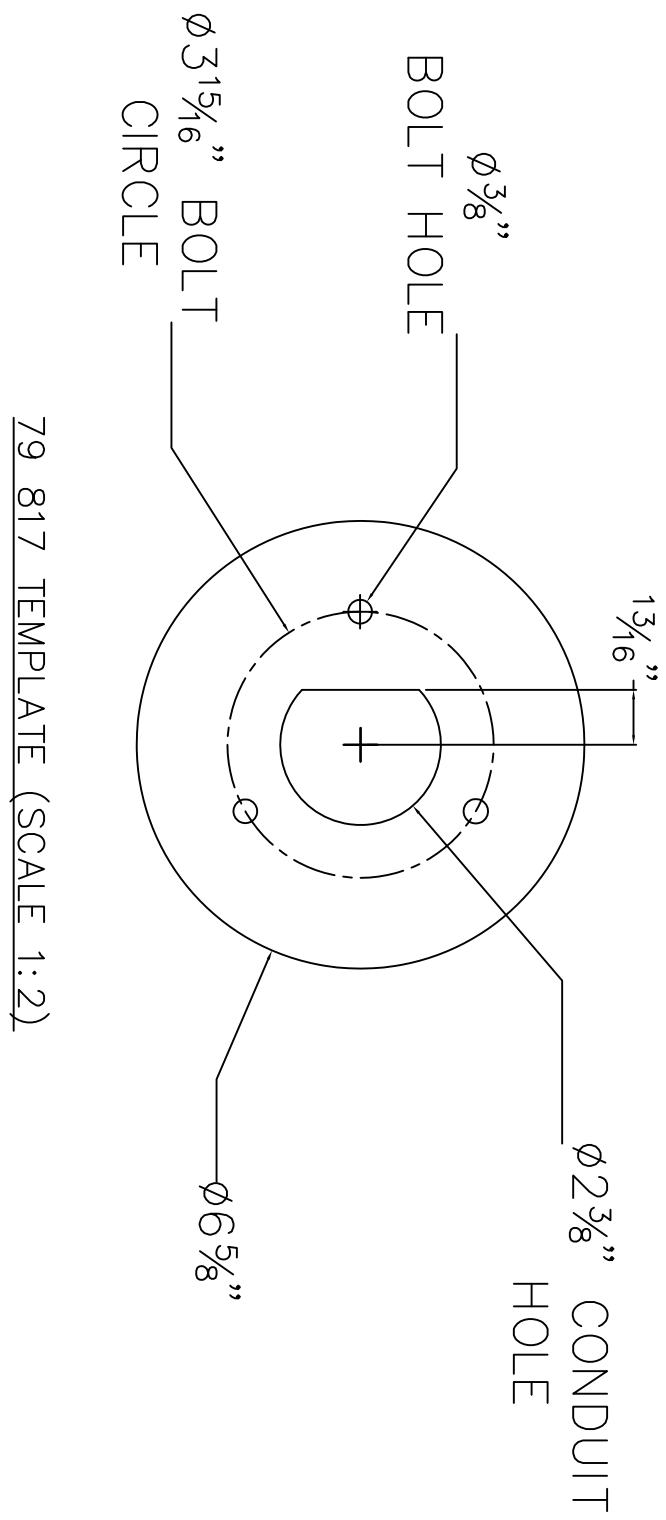
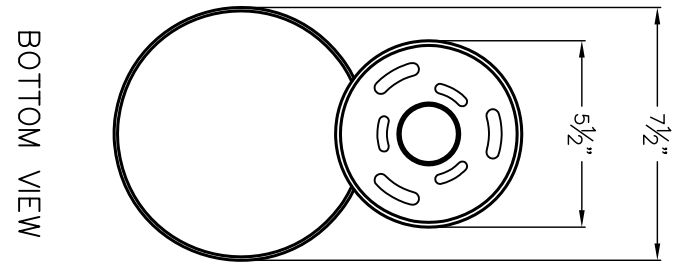
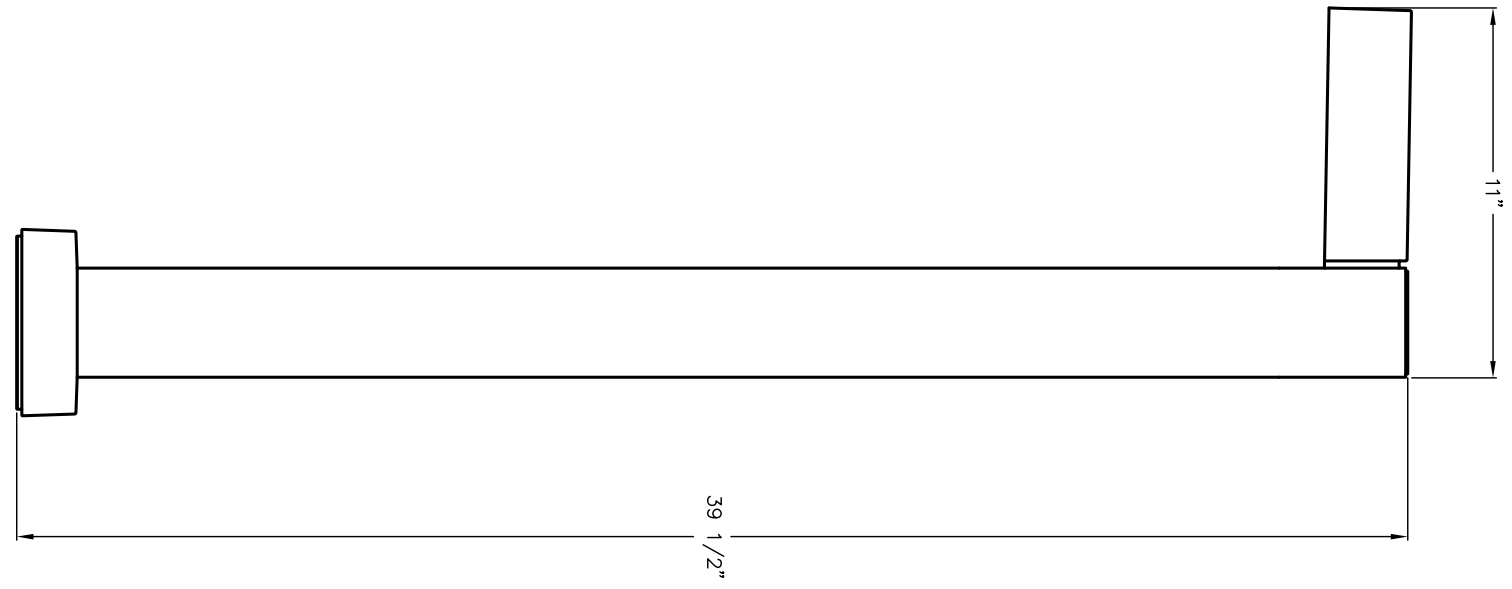


NOTES:


1. LUMINAIRE # 77 221 – SEE SPECIFICATIONS



79 817 TEMPLATE (SCALE 1:2)



TYPE: _____

SUBMITTAL APPROVAL APPROVED BY: _____ SIGNED: _____ DATE: _____			CAT NO.: 77 221		 1000 Bega Way Carpinteria, Ca. 93013 (805) 684-0533
			PROJECT: -		
LOCATION: -		DRAWN: AV		DATE: 8/5/15	
REV.	DATE	DESCRIPTION			

This print contains confidential information which is the property of BEGA U.S. By acceptance this information, the borrower agrees that it will not be used for any other purpose other than that which is was loaned.