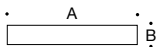


Tools Required:

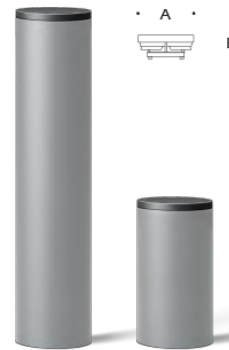
3mm hex key



Dimensions

A: 10 3/8 "

B: 7/8 "



Notice to Installer for 71 128:

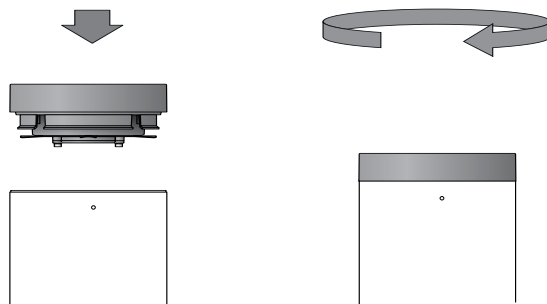
1. See page 2 for specific product safety warnings.

NOTE: For proper installation, an accompanying system bollard tube must be selected with the bollard head.

71 128 installation:

1. Install bollard tube per bollard tube installation instructions, including anchorage and supply wiring connections (if applicable).
2. Insert bollard head into bollard tube by aligning pins.
3. Twist clockwise until bollard head will no longer turn. (Figure 1).
4. Lock into place by tightening hex screw.

Figure 1



Relamping/Maintenance

No relamping required.

Bollard Tube Options:

Please refer to bollard head specification sheet for a complete list of compatible bollard tube options.

Replacement Parts:

| | |
|--------------------|----------------|
| <u>Description</u> | <u>Part No</u> |
|--------------------|----------------|

Product Safety Warnings:

THIS PRODUCT MUST BE INSTALLED IN ACCORDANCE WITH THE APPLICABLE INSTALLATION CODE BY A PERSON FAMILIAR WITH THE CONSTRUCTION AND OPERATION OF THE PRODUCT AND THE HAZARDS INVOLVED. SUITABLE FOR WET LOCATIONS.

MIN 90°C SUPPLY CONDUCTORS.

CE PRODUIT DOIT ÊTRE INSTALLÉ SELON LE CODE D'INSTALLATION PERTINENT, PAR UNE PERSONNE QUI CONNAÎT BIEN LE PRODUIT ET SON FONCTIONNEMENT AINSI QUE LES RISQUES INHÉRENTS. CONVIENT AUX EMPLACEMENTS MOUILLÉS.

LES FILS D'ALIMENTATION 90°C MIN.
