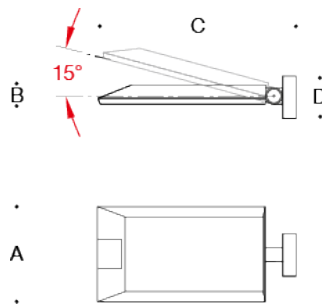


Tools Required:

- 4mm hex key
- Phillips medium screwdriver
- Adjustable wrench



Dimensions

- A: 13-3/8"
- B: 3"
- C: 24"
- D: 6-1/2"



Protection Class: IP66

Weight: 17.2 lb.

Notice to Installer for 66 463:

1. For wall applications only.
2. Mounts directly to standard recessed 4" octagonal wiring box (by others), using mounting Kit #3 (supplied).
3. Silicone based sealant must be used between luminaire and supporting wall, [In conformance with UL Standard 1598]

66 463 - Luminaire Installation:

1. Using Kit #3 install (2) of the long wiring box screws into back of adapter plate, facing luminaire. (Figure 1)
2. Using Kit #3 attach adapter plate to wiring box using (2) short screws (provided). (Figure 1)
3. Route supply wiring through center of adapter plate.
4. Route luminaire wiring out from luminaire mounting plate and adapter plate.
5. Make supply wiring and luminaire wiring connections:
 MAIN VOLTAGE SUPPLY WIRE TO BLACK LUMINAIRE WIRE
 NEUTRAL (COMMON) SUPPLY WIRE TO WHITE LUMINAIRE WIRE
 GREEN GROUND WIRE TO GREEN LUMINAIRE WIRE
 0-10V Dimming (if applicable):
 DIMMING CONTROL WIRE (+) TO POSITIVE DRIVER DIM CONTROL WIRE
 DIMMING CONTROL WIRE (-) TO NEGATIVE DRIVER DIM CONTROL WIRE
6. Insert completed wiring connections into wiring box.
7. Adjust tilt angle of fixture by loosening hex nut located on luminaire base. (Figure 2)
8. Adjust to desired angle. Tighten hex nut at desired angle. (Figure 2)
9. Align luminaire base / mounting plate over mounting screws and place over adapter plate
10. Attach (2) acorn nuts provided in mounting kit to secure the luminaire to the wiring box
11. Mount luminaire to mounting plate and tighten canopy set screw to secure luminaire, making sure orientation label is aimed correctly.
12. Silicone based sealant must be used between luminaire and supporting wall. (Exterior applications only).

Figure 1: Mounting Kit (Generic Image)

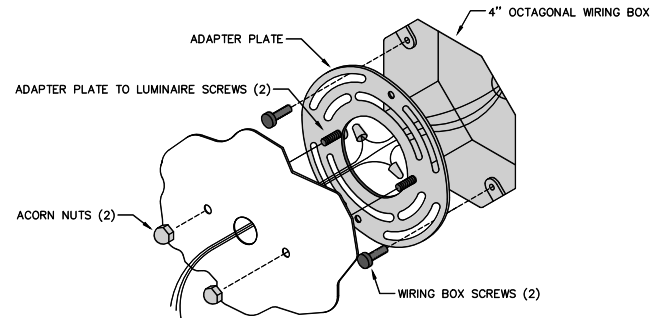
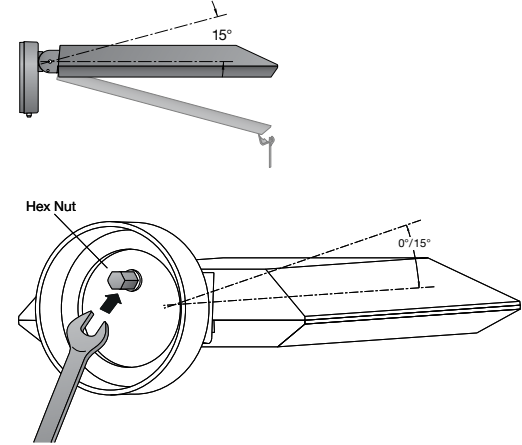


Figure 2: Adjusting Tilt



Cleaning/Maintenance

Push on clamp and remove faceplate. Clean luminaire and lens using only solvent-free cleansers. Replace faceplate.

Accessories

Please refer to the appropriate accessory installation sheet for further instruction when applicable.

Replacement Parts

Description	Part No
LED Driver	(2X) 75985-03
LED Module (3000K)	(4X) LED-0282/830
LED Module (4000K)	(4X) LED-0282/840

Lamp: 62.8W LED

In the interest of product improvement, BEGA reserves the right to make technical changes without notice.

Product Safety Warnings:

CAUTION - RISK OF FIRE. THIS PRODUCT MUST BE INSTALLED IN ACCORDANCE WITH THE APPLICABLE INSTALLATION CODE BY A PERSON FAMILIAR WITH THE CONSTRUCTION AND OPERATION OF THE PRODUCT AND THE HAZARDS INVOLVED. SUITABLE FOR WET LOCATIONS.

MIN 60°C SUPPLY CONDUCTORS.

ATTENTION - RISQUE D'INCENDIE, CE PRODUIT DOIT ÊTRE INSTALLÉ SELON LE CODE D'INSTALLATION PERTINENT, PAR UNE PERSONNE QUI CONNAÎT BIEN LE PRODUIT ET SON FONCTIONNEMENT AINSI QUE LES RISQUES INHÉRENTS. CONVIENT AUX EMPLACEMENTS MOUILLÉS.

LES FILS D'ALIMENTATION 60°C MIN.
