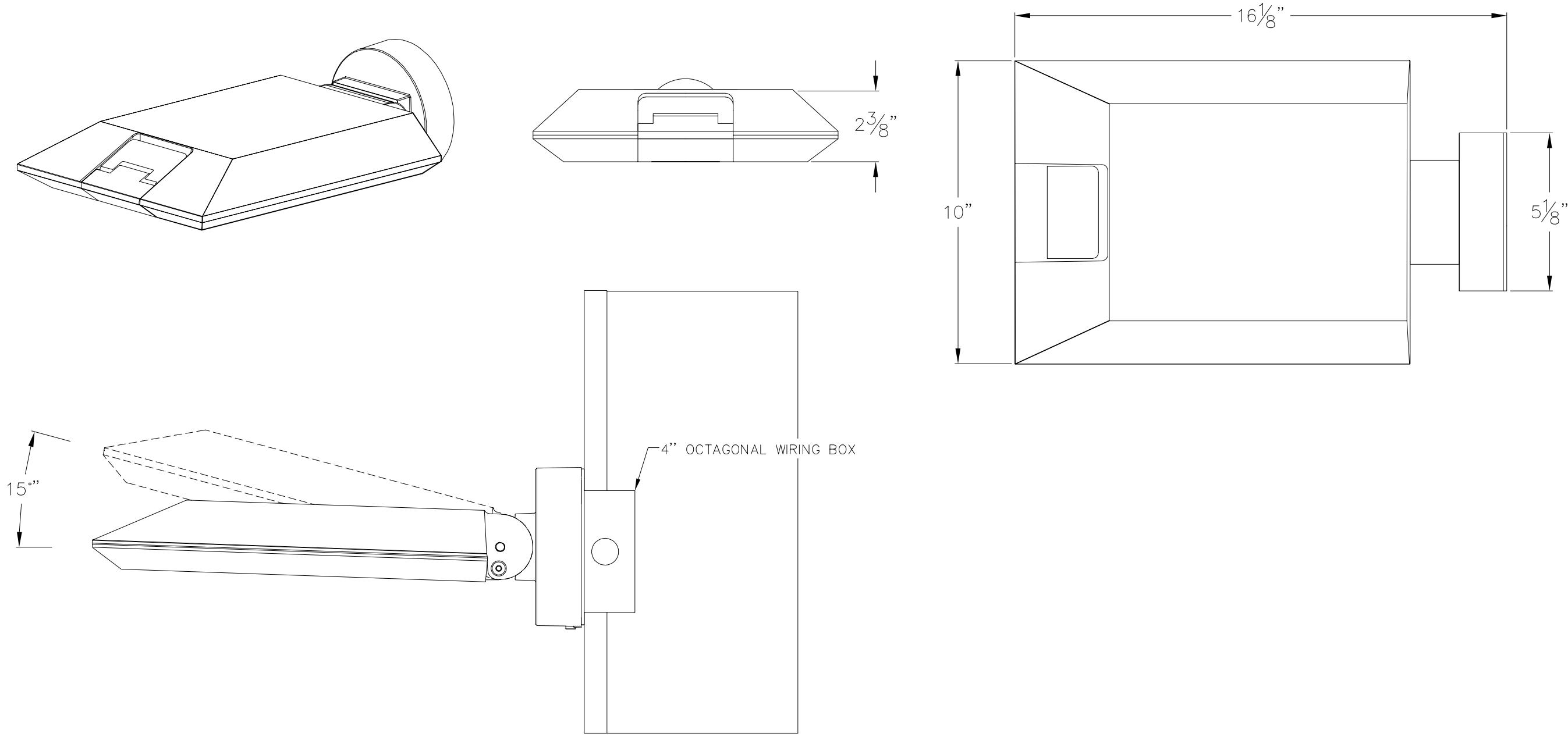


NOTES:

1. LUMINAIRE #66 455— SEE SPECIFICATIONS
2. MOUNTS DIRECTLY TO STANDARD 4" OCTAGONAL WIRING BOX (BY OTHERS), USING MOUNTING KIT #3 (SUPPLIED)
3. LUMINAIRE TILT FROM 0° TO 15° (SHOWN BELOW)
4. ADJUST TILT BY LOOSENING HEX NUT LOCATED IN LUMINAIRE BASE



**TYPE:** \_\_\_\_\_

**SUBMITTAL APPROVAL**

APPROVED BY: \_\_\_\_\_ DATE: \_\_\_\_\_  
 SIGNED: \_\_\_\_\_

REV.	DATE	DESCRIPTION

CAT NO.: 66 455

PROJECT: \_\_\_\_\_

LOCATION: \_\_\_\_\_

DRAWN: SB DATE: 7/02/2019 File Name: 66455.dxf

**BEGA**

1000 Bega Way  
 Carpinteria, Ca. 93013  
 (805) 684-0533

This print contains confidential information which is the property of BEGA U.S. By acceptance this information, the borrower agrees that it will not be used for any other purpose other than that which is loaned.