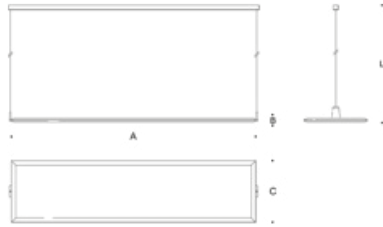


Tools Required:

- Small slotted screwdriver
- Phillips medium screwdriver



Dimensions

- A: 61-3/4 "
- B: 5/8 "
- C: 13-1/2 "
- L: 79 "



Notice to Installer for 56 625:

- See page 2 for specific product safety warnings.
- Luminaire mounting canopy mounts directly to ceiling and support OVER 19 537 wiring box (provided).
- LEDs are high-quality electronic components! Please avoid touching the light output opening of the LED directly during installation.
- The use of support under the luminaire during installation is highly recommended.

56 625 - installation:

- Detach canopy from mounting plate and lower down steel wire sleeves. Canopy is held in place magnetically.
- Route the luminaire wiring through elongated hole in the mounting bracket.
- Make supply wiring and luminaire wiring connections inside 19 537 wiring box:
 MAIN VOLTAGE SUPPLY WIRE TO BLACK DRIVER WIRE(S);
 NEUTRAL (COMMON SUPPLY WIRE TO WHITE DRIVER WIRE(S);
 GREEN GROUND WIRE TO GREEN DRIVER WIRE(S).

Dimming (if applicable):

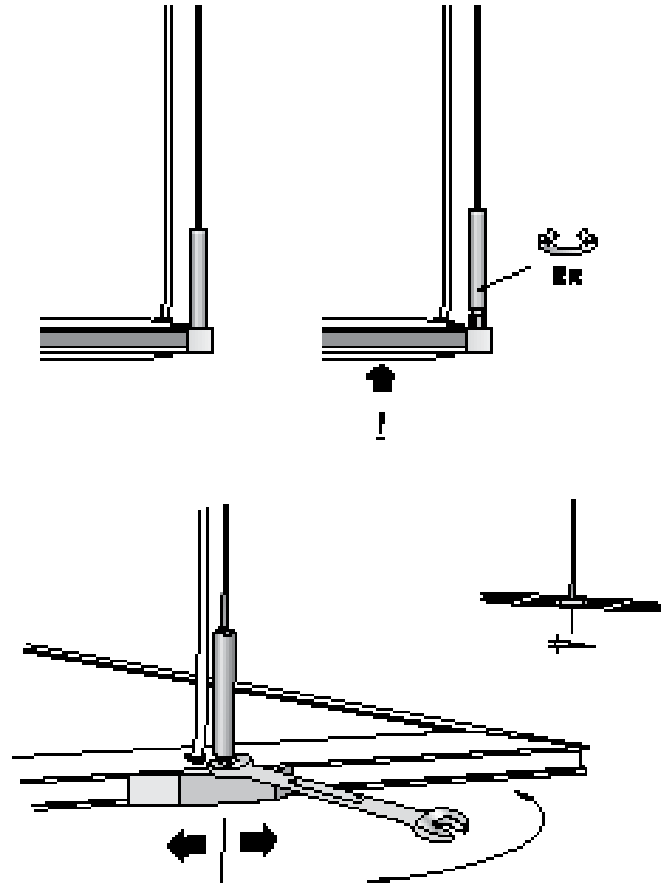
- DIMMING CONTROL WIRE (+) TO POSITIVE DRIVER DIM CONTROL WIRE
- DIMMING CONTROL WIRE (-) TO NEGATIVE DRIVER DIM CONTROL WIRE

- Attach the mounting bracket directly to the ceiling blocking (by others) over the 19 537 wiring box using hardware (by others). See submittal drawing for mounting details.
- To adjust cable length:
 - Shorten:** Pull wires through to appropriate length. Lead the wires twice through the steel wire clamp and tighten the set screw to lock into place.
 - Lengthen:** Press the push nozzle inwards, allowing one to lengthen or shorten the wire. Pull wires to the appropriate length and release the push nozzle. Lead the wires twice through the steel wire clamp and tighten the set screw to lock into place.

NOTE: Luminaire can be leveled by loosening the sleeves on either side of the fixture to access the adjustment bolts. Adjust to level using small wrench. (See Figure 1)

- Reattach canopy cover over mounting bracket by pushing into place.

Figure 1



Relamping/Maintenance

No re-lamping required.

Accessories

Please refer to the appropriate accessory installation sheet for further instruction when applicable.

Replacement Parts

Description	Part No
LED Driver (120V-277V)	76133-01
LED Module (3000K)	consult factory
LED Module (4000K)	consult factory

Lamp: 52.6W LED

In the interest of product improvement, BEGA reserves the right to make technical changes without notice.

Product Safety Warnings:

THIS PRODUCT MUST BE INSTALLED IN ACCORDANCE WITH THE APPLICABLE INSTALLATION CODE BY A PERSON FAMILIAR WITH THE CONSTRUCTION AND OPERATION OF THE PRODUCT AND THE HAZARDS INVOLVED. SUITABLE FOR DAMP LOCATIONS.

MIN 90°C SUPPLY CONDUCTORS.

CE PRODUIT DOIT ÊTRE INSTALLÉ SELON LE CODE D'INSTALLATION PERTINENT, PAR UNE PERSONNE QUI CONNAÎT BIEN LE PRODUIT ET SON FONCTIONNEMENT AINSI QUE LES RISQUES INHÉRENTS. CONVIENT AUX EMPLACEMENTS HUMIDES.

LES FILS D'ALIMENTATION 90°C MIN.
