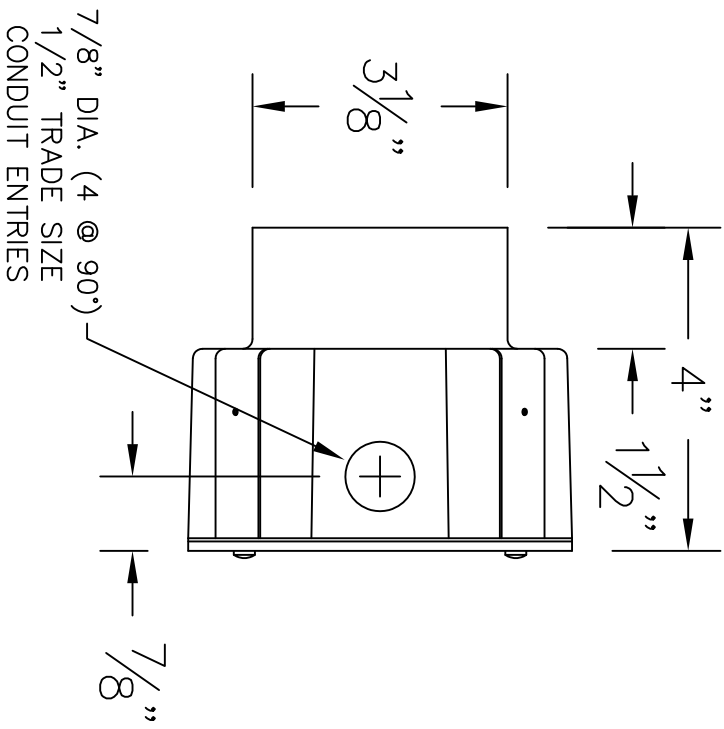
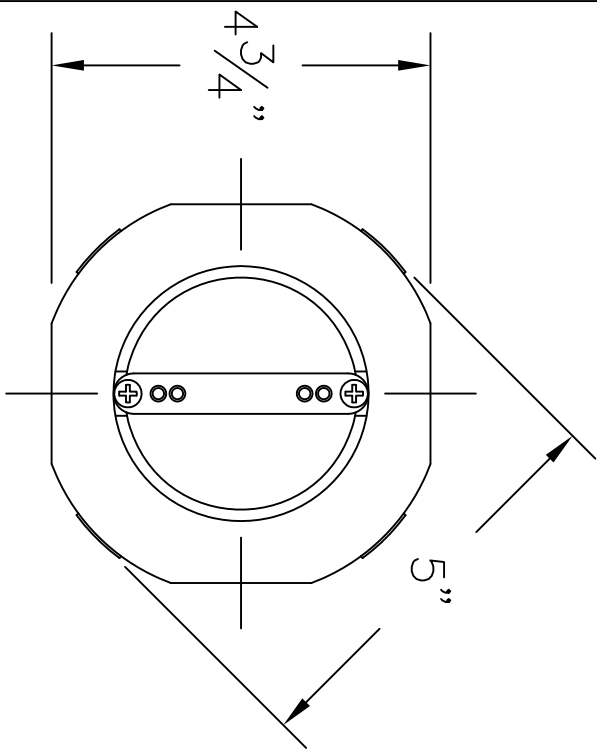
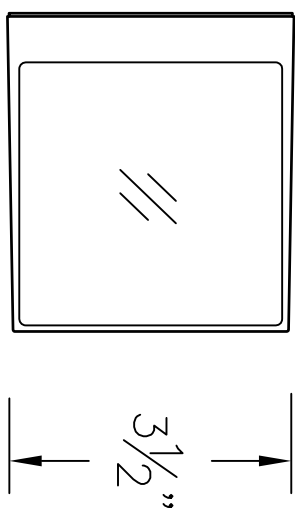
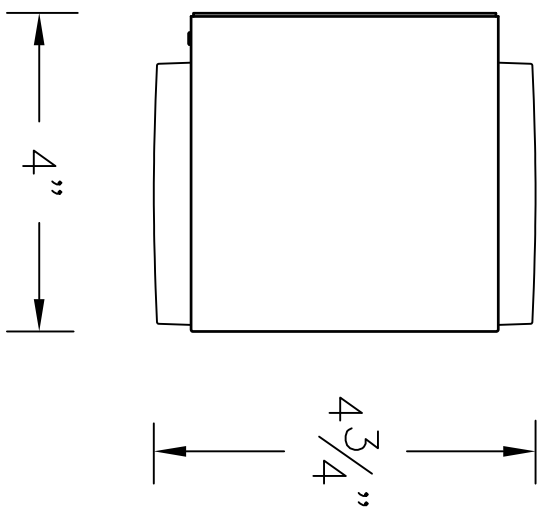


MOUNTING DETAIL  
MOUNTS DIRECTLY TO BEGA 19 538



BEGA 19 538 WIRING BOX – DETAIL



NOTES: LUMINAIRE # 50 063.X – SEE SPECIFICATIONS

TYPE: \_\_\_\_\_

**SUBMITTAL APPROVAL**

APPROVED BY: \_\_\_\_\_

SIGNED: \_\_\_\_\_ DATE: \_\_\_\_\_

CAT NO.: 50 063.X

PROJECT: -

LOCATION: -

DRAWN: RA DATE: 12/14/2016 FILE NAME: 50063.dxf

**BEGA**

1000 Bega Way  
Carpinteria, Ca. 93013  
(805) 684-0533

REV.	DATE	DESCRIPTION

This print contains confidential information which is the property of BEGA U.S. By acceptance this information, the borrower agrees that it will not be used for any other purpose other than that which is was loaned.