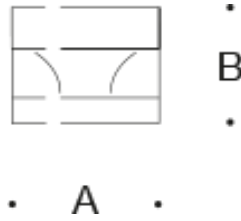


Tools Required:

Phillips head screwdriver



Dimensions

A: 5-5/8 "
B: 4-1/2 "



Weight: 2.1 lbs.

Notice to Installer for 50 060:

1. See page 2 for specific product safety warnings.
2. Select the desired trim ring or housing material finish by using appropriate code number as suffix.
50 060.1 - (.1) Brilliant white
50 060.2 - (.2) Stainless steel
50 060.3 - (.3) Polished aluminum
3. Mounts directly to finished ceiling surface over standard octagonal recessed junction box.
4. LEDs are high-quality electronic components! Please avoid touching the light output opening of the LED directly during installation.

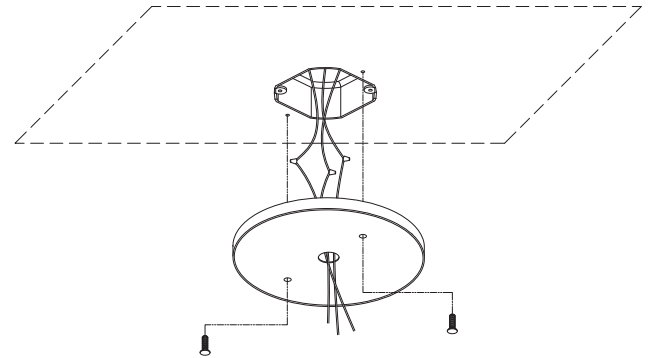
50 060 - installation:

1. Carefully unscrew glass to remove from housing.
2. Detach reflector from LED assembly, held in place magnetically.
3. Feed luminaire wires through base of luminaire housing.
4. Make supply wiring and luminaire wiring connections inside the wiring box:
MAIN VOLTAGE SUPPLY WIRE TO BLACK LUMINAIRE WIRE
NEUTRAL (COMMON) SUPPLY WIRE TO WHITE LUMINAIRE WIRE
GREEN GROUND WIRE TO GREEN LUMINAIRE WIRE

Dimming (if applicable):

- DIMMING CONTROL WIRE (+) TO POSITIVE DRIVER DIM CONTROL WIRE
 - DIMMING CONTROL WIRE (-) TO NEGATIVE DRIVER DIM CONTROL WIRE
4. Fix luminaire to finished ceiling surface using appropriate mounting hardware (by others).
 5. Replace luminaire reflector and glass by screwing into luminaire housing clockwise. Ensure gasket is seated correctly.

Figure 1



Relamping/Maintenance

Unscrew glass by turning counter-clockwise. Clean glass and luminaire using on solvent-free cleansers. Replace glass, making sure gasket is seated properly.

Accessories

Please refer to the appropriate accessory installation sheet for further instruction when applicable.

Replacement Parts

Description	Part No
Replacement Glass	113191410
LED driver (120-277V)	76052
LED module (3000K)	LED-0658/830
LED module (4000K)	LED-0658/840

Lamp: 13.4W LED

In the interest of product improvement, BEGA reserves the right to make technical changes without notice.

Product Safety Warnings:

THIS PRODUCT MUST BE INSTALLED IN ACCORDANCE WITH THE APPLICABLE INSTALLATION CODE BY A PERSON FAMILIAR WITH THE CONSTRUCTION AND OPERATION OF THE PRODUCT AND THE HAZARDS INVOLVED. SUITABLE FOR DAMP LOCATIONS.

MIN 90°C SUPPLY CONDUCTORS.

CE PRODUIT DOIT ÊTRE INSTALLÉ SELON LE CODE D'INSTALLATION PERTINENT, PAR UNE PERSONNE QUI CONNAÎT BIEN LE PRODUIT ET SON FONCTIONNEMENT AINSI QUE LES RISQUES INHÉRENTS. CONVIENT AUX EMPLACEMENTS HUMIDES.

LES FILS D'ALIMENTATION 90°C MIN.