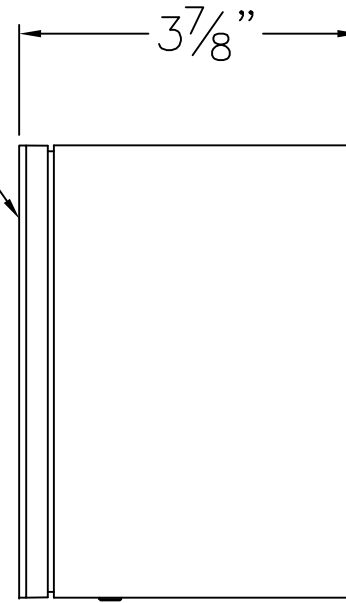
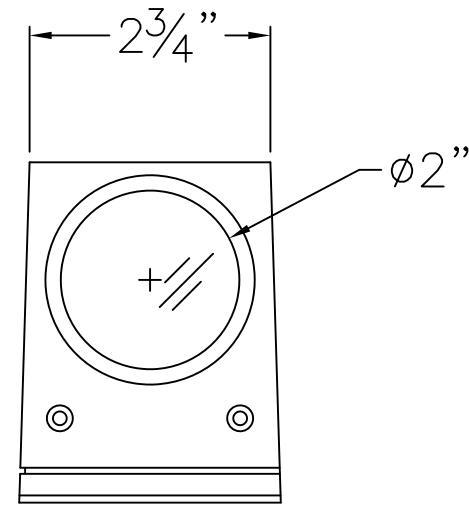


FRONT VIEW

ADAPTOR PLATE (1/16")



SIDE VIEW



BOTTOM/TOP VIEW

NOTES:

LUMINAIRE # 33 590 – SEE SPECIFICATIONS.

This print contains confidential information which is the property of BEGA/US. By accepting this information, the borrower agrees that it will not be used for any other purpose other than that which is was loaned.

Catalog No.: 33 590

Description: WALL LUMINAIRE – TWO-SIDED LIGHT

Drawn by: MAP Date: 7/31/2019 File Name: 33590.dxf

SCALE: NONE – DO NOT SCALE DRAWING

BEGA

1000 Bega Way
Carpinteria, Ca. 93013
(805) 684-0533