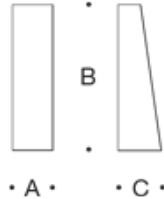


**Tools Required:**

- 2.5mm hex key
- 3mm hex key
- Phillips head screw driver medium



**Dimensions**

- A: 2-1/8"
- B: 7-7/8"
- C: 2-3/8"



**Protection Class:** IP65

**Weight:** 1.1 lbs.

**Notice to Installer for 33 514:**

1. **BEGA luminaires may be damaged if connected to conduit systems containing water- Article 300-5G of National Electric Code requires that "Conduits or raceways through which moisture may contact energized live parts shall be sealed or plugged at either or both ends".**
2. Mounts directly to a BEGA-provided 19 545 Box.
3. Wall applications only.
4. In conformance with U.L. Standards 1598, a silicone-based sealant **MUST** be used between the base casting edge and supporting wall.
5. LEDs are high-quality electronic components! Please avoid touching the light output opening of the LED directly during installation.

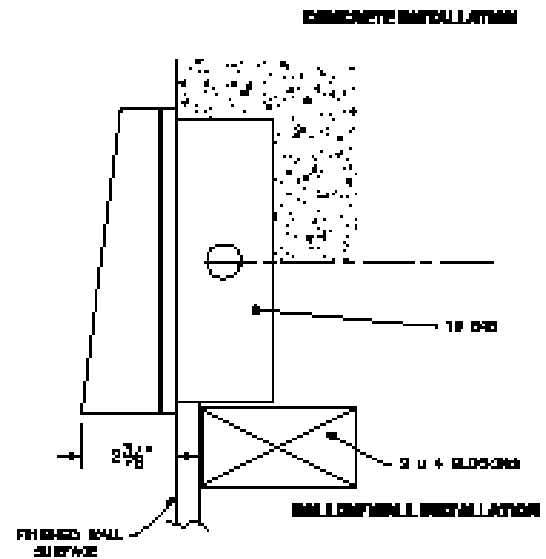
**33 514 - installation:**

1. **Hollow (stud) wall construction** - Secure wiring box to wood or metal vertical blocking. Connect conduit to wiring box (if needed) and pull wires for electrical connections to be made later.
2. **Poured concrete construction** - Attach wiring box to the concrete form. Connect conduit to wiring box (if needed) and pull wires for electrical connections to be made later. Pour concrete and remove form.

**IMPORTANT: Do not pour concrete directly on to box**

**33 514 - installation:**

1. Loosen the (2) socket head screws on faceplate of luminaire and remove faceplate with glass.
2. Feed luminaire wires through rubber grommet in mounting base.
3. Make supply wiring and luminaire wiring connections in the small scale wiring box (provided):  
 MAIN VOLTAGE SUPPLY WIRE TO BLACK LUMINAIRE WIRE  
 NEUTRAL (COMMON) SUPPLY WIRE TO WHITE LUMINAIRE WIRE  
 WIRE GREEN GROUND WIRE TO GREEN LUMINAIRE WIRE
- Dimming (if applicable):  
 DIMMING CONTROL WIRE (+) TO POSITIVE DRIVER DIM CONTROL WIRE  
 DIMMING CONTROL WIRE (-) TO NEGATIVE DRIVER DIM CONTROL WIRE
4. Place a small bead of silicone around the back side of the luminaire base casting that will come in contact with the finished surface (exterior applications only). Mount luminaire base directly to the 19 545 wiring box using 8-32 mounting hardware (by others).
5. Replace faceplate, making sure that the gasket is seated properly. Tighten the (2) screws to secure faceplate.



**Relamping/Maintenance**

No relamping required.

**Accessories**

Please refer to the appropriate accessory installation sheet for further instruction when applicable.

Wiring box 19 545

**Replacement Parts**

Description	Part No
Face Plate	FP3514
LED driver (120-277V)	76066
LED module (3000K)	LED-0291/830
LED module (4000K)	LED-0291/840

**Lamp:** 3W LED

In the interest of product improvement, BEGA reserves the right to make technical changes without notice.

**Product Safety Warnings:**

**THIS PRODUCT MUST BE INSTALLED IN ACCORDANCE WITH THE APPLICABLE INSTALLATION CODE BY A PERSON FAMILIAR WITH THE CONSTRUCTION AND OPERATION OF THE PRODUCT AND THE HAZARDS INVOLVED. SUITABLE FOR WET LOCATIONS.**

**MIN 90°C SUPPLY CONDUCTORS.**

**CE PRODUIT DOIT ÊTRE INSTALLÉ SELON LE CODE D'INSTALLATION PERTINENT, PAR UNE PERSONNE QUI CONNAÎT BIEN LE PRODUIT ET SON FONCTIONNEMENT AINSI QUE LES RISQUES INHÉRENTS. CONVIENT AUX EMPLACEMENTS MOUILLES.**

**LES FILS D'ALIMENTATION 90°C MIN.**

---