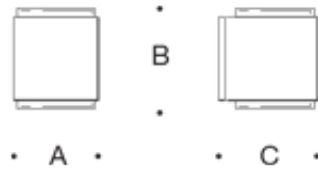


Tools Required:

- 2mm hex key
- 3mm hex key
- Flat head screw driver medium
- Phillips head screw driver medium



Dimensions

- A: 3-1/2 "
- B: 4-3/4 "
- C: 4 "



Protection Class: IP64
Weight: 1.4 lbs

Notice to Installer for 33 505:

1. For wall applications only.
2. Mounts directly to 19 538 small opening wiring box (provided). **IMPORTANT: DO NOT MAKE WALL CUTOUT FOR STANDARD WIRING BOX. OPENING MUST BE MADE FOR BEGA 19 538 WIRING BOX OR CUTOUT WILL BE VISIBLE.**
 NOTE: Wiring box must be mounted in the orientation that the mounting strap will mount horizontally
3. In conformance with UL Standard 1598, a silicone based sealant must be used between luminaire and supporting wall.
4. See installation sheet 99068, supplied, for detailed instructions on 19 538 small wiring box installation.
5. LEDs are high-quality electronic components! Please avoid touching the light output opening of the LED directly during installation.

33 505 - installation:

1. Remove luminaire mounting plate by loosening 3mm set screw on rear canopy of fixture.
2. Feed luminaire wires through back of luminaire base.
3. Make supply wiring and luminaire wiring connections in small opening wiring box:
 MAIN VOLTAGE SUPPLY WIRE TO BLACK LUMINAIRE WIRE
 NEUTRAL (COMMON) SUPPLY WIRE TO WHITE LUMINAIRE WIRE
 GREEN GROUND WIRE TO GREEN LUMINAIRE WIRE
 Dimming (if applicable):
 DIMMING CONTROL WIRE (+) TO POSITIVE DRIVER DIM CONTROL WIRE
 DIMMING CONTROL WIRE (-) TO NEGATIVE DRIVER DIM CONTROL WIRE
4. Attach mounting strap to wiring box using (2) 1/2" screws.
5. Attach base to mounting strap and wiring box by using (2) 1 1/2" 8-32 mounting screws.
6. Place a small bead of silicone around the back side of the luminaire base that will come in contact with the finished wall (exterior applications only).
7. Mount luminaire to base, making sure orientation label is aimed correctly. Tighten 3mm set screw to secure.

Figure 1: Generic Diagram

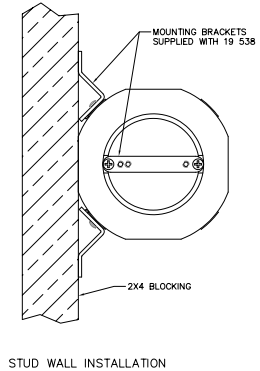
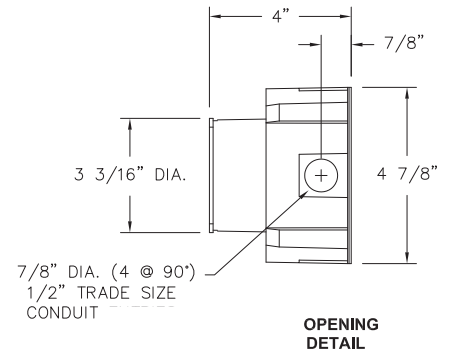


Figure 2:



Relamping/Maintenance

No relamping required.

Accessories

Please refer to the appropriate accessory installation sheet for further instruction when applicable.

Replacement Parts

Description	Part No
Driver (120-277V)	76023
LED Module (3000K)	LED-0280/930
LED Module (4000K)	LED-0280/940

Lamp: 5.8W LED Module

In the interest of product improvement, BEGA reserves the right to make technical changes without notice.

Product Safety Warnings:

THIS PRODUCT MUST BE INSTALLED IN ACCORDANCE WITH THE APPLICABLE INSTALLATION CODE BY A PERSON FAMILIAR WITH THE CONSTRUCTION AND OPERATION OF THE PRODUCT AND THE HAZARDS INVOLVED. SUITABLE FOR WET LOCATIONS.

MIN 90°C SUPPLY CONDUCTORS.

CE PRODUIT DOIT ÊTRE INSTALLÉ SELON LE CODE D'INSTALLATION PERTINENT, PAR UNE PERSONNE QUI CONNAÎT BIEN LE PRODUIT ET SON FONCTIONNEMENT AINSI QUE LES RISQUES INHÉRENTS. CONVIENT AUX EMPLACEMENTS MOUILLÉS.

LES FILS D'ALIMENTATION 90°C MIN.
