

Tools Required:

- Flat head screw driver medium
- Phillips head screw driver medium
- 3mm hex head screw driver

Weight: 12.4 lbs.



Dimensions

- A:** 7-1/2"
- B:** 17-1/4"
- L:** 103-1/2"



Notice to Installer for 24 507:

1. See page 2 for specific product safety warnings.
2. Canopy mounts directly to BEGA small opening 19 538 recessed box (included).
3. See installation sheet 99068, supplied, for detailed instructions on 19 538 wiring box.
4. In conformance with U.L. Standards 1598, a silicone-based sealant **MUST** be used between the mounting plate edge and supporting surface.
5. Fixture length cannot be modified in the field. Consult factory for custom lengths.

Caution: When installed outside the luminaire must be protected from wind.

24 507 - installation:

1. Separate canopy from canopy mounting plate by loosening (2) 3mm hex screws.
2. Feed driver wires through canopy mounting plate.
3. Make supply wiring and driver wiring connections inside the wiring box (by others):

MAIN VOLTAGE SUPPLY WIRE TO BLACK LUMINAIRE WIRE
 NEUTRAL (COMMON) SUPPLY WIRE TO WHITE LUMINAIRE WIRE
 GREEN GROUND WIRE TO GREEN LUMINAIRE WIRE

Dimming (if applicable):

DIMMING CONTROL WIRE (+) TO POSITIVE DIM CONTROL WIRE
 DIMMING CONTROL WIRE (-) TO NEGATIVE DIM CONTROL WIRE

4. Release steel cable from cable grip on canopy mounting plate. Route aircraft cable through hole in mounting strap per Figure 2, and then attached mounting strap to 19 538 small opening wiring box.
5. Route steel cable back through cable grip on canopy mounting plate and secure into place.
6. Mount canopy baseplate to mounting strap using hardware provided.
7. Move canopy cover up to the ceiling/canopy mounting plate and tighten (2) 3mm hex screws to secure.

Figure 1: 19 538 Wiring Box (Generic Image)

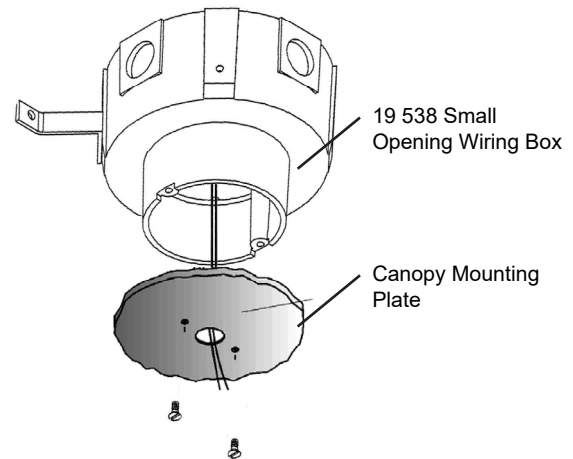


Figure 2: Steel cable attachment



Relamping/Maintenance

Clean luminaire using on solvent-free cleansers.

Accessories

Please refer to the appropriate accessory installation sheet for further instruction when applicable.

Replacement Parts

Description	Part No
LED Driver (120-277V)	76004-02
LED Module (3000K)	LED-0770/830
LED Module (4000K)	LED-0770/840

Lamp: 35.7W LED Module

In the interest of product improvement, BEGA reserves the right to make technical changes without notice.

Product Safety Warnings:

CAUTION - RISK OF FIRE. THIS PRODUCT MUST BE INSTALLED IN ACCORDANCE WITH THE APPLICABLE INSTALLATION CODE BY A PERSON FAMILIAR WITH THE CONSTRUCTION AND OPERATION OF THE PRODUCT AND THE HAZARDS INVOLVED. SUITABLE FOR WET LOCATIONS.

MIN 90°C SUPPLY CONDUCTORS.

ATTENTION - RISQUE D'INCENDIE, CE PRODUIT DOIT ÊTRE INSTALLÉ SELON LE CODE D'INSTALLATION PERTINENT, PAR UNE PERSONNE QUI CONNAÎT BIEN LE PRODUIT ET SON FONCTIONNEMENT AINSI QUE LES RISQUES INHÉRENTS. CONVIENT AUX EMPLACEMENTS MOUILLÉS.

LES FILS D'ALIMENTATION 90°C MIN.
