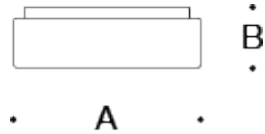


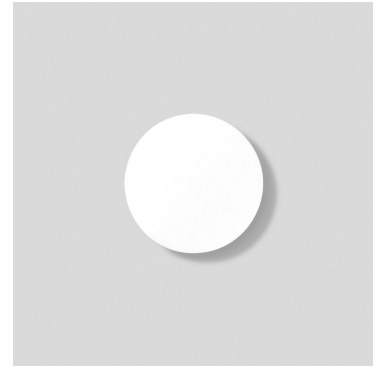
**Tools Required:**

- Philips medium screwdriver
- Adjustable wrench



**Dimensions**

- A: 14-1/8"
- B: 3-7/8"



**Protection Class:** IP65

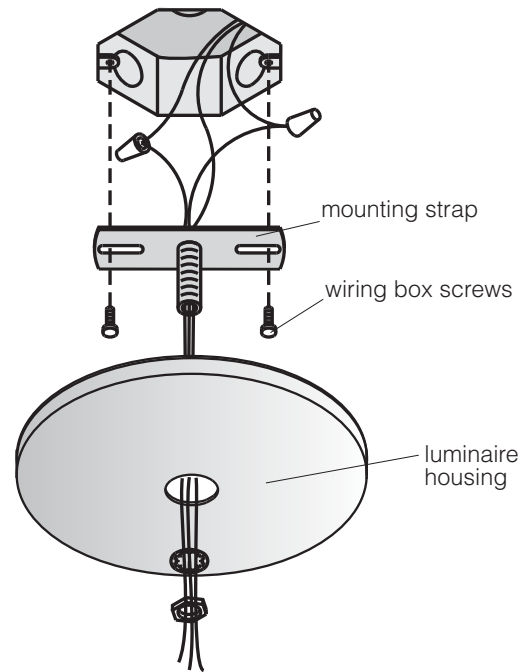
**Weight:** 8.4 lbs.

**Notice to Installer for 24 027:**

- BEGA luminaires may be damaged if connected to conduit systems containing water- Article 300-5G of National Electric Code requires that "Conduits or raceways through which moisture may contact energized live parts shall be sealed or plugged at either or both ends".**
- Mounts directly to a standard octagonal 4" wiring box (by others) using mounting kit (supplied).
- In conformance with U.L. Standards 1598, a silicone-based sealant **MUST** be used between the mounting plate edge and supporting wall.
- LEDs are high-quality electronic components! Please avoid touching the light output opening of the LED directly during installation.

**24 027 - installation:**

- Carefully unscrew lens from luminaire housing to remove.
- Feed luminaire wires through fixture base, IP nipple, and center hole in mounting strap.
- Make supply wiring and luminaire wiring connections inside the octagonal wiring box:  
 MAIN VOLTAGE SUPPLY WIRE TO BLACK LUMINAIRE WIRE  
 NEUTRAL (COMMON) SUPPLY WIRE TO WHITE LUMINAIRE WIRE  
 GREEN GROUND WIRE TO GREEN LUMINAIRE WIRE
- Dimming (if applicable):**  
 DIMMING CONTROL WIRE (+) TO POSITIVE DRIVER DIM CONTROL WIRE  
 DIMMING CONTROL WIRE (-) TO NEGATIVE DRIVER DIM CONTROL WIRE
- Attach mounting strap (provided) to wiring box using wiring box screws (by others).
- Attach 1/4" nipple to mounting strap (provided) and place luminaire over nipple.
- Use lockwasher and nut (provided) to secure luminaire on nipple. Tighten screw.
- Replace lens and screw in to secure, making sure that the gasket is seated properly. Do not overtighten.



**Relamping/Maintenance**

Clean regularly with solvent-free cleansers.  
Do not use high pressure cleaners.

**Accessories**

Please refer to the appropriate accessory installation sheet for further instruction when applicable.

**Replacement Parts**

Description	Part No
Lens	11003253M
Lens Gasket	83001636
LED Driver (120-277V)	75985-01
LED Module (3000K)	LED-0832/930
LED Module (4000K)	LED-0832/940

Lamp: 28.1W LED

In the interest of product improvement, BEGA reserves the right to make technical changes without notice.

**Product Safety Warnings:**

**THIS PRODUCT MUST BE INSTALLED IN ACCORDANCE WITH THE APPLICABLE INSTALLATION CODE BY A PERSON FAMILIAR WITH THE CONSTRUCTION AND OPERATION OF THE PRODUCT AND THE HAZARDS INVOLVED. SUITABLE FOR WET LOCATIONS.**

**MIN 90°C SUPPLY CONDUCTORS.**

**CE PRODUIT DOIT ÊTRE INSTALLÉ SELON LE CODE D'INSTALLATION PERTINENT, PAR UNE PERSONNE QUI CONNAÎT BIEN LE PRODUIT ET SON FONCTIONNEMENT AINSI QUE LES RISQUES INHÉRENTS. CONVIENT AUX EMPLACEMENTS MOUILLÉS.**

**LES FILS D'ALIMENTATION 90°C MIN.**

---