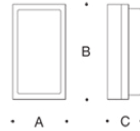


**Tools Required:**

- 4mm hex key
- Phillips head screwdriver medium
- Flat head screwdriver
- Adjustable wrench



**Dimensions**

- A:** 4-3/4"
- B:** 8-1/2"
- C:** 3-1/4"



**Protection Class:** IP65

**Weight:** 2.9 lbs.

**Notice to Installer for 22 450:**

1. **BEGA luminaires may be damaged if connected to conduit systems containing water- Article 300-5G of National Electric Code requires that "Conduits or raceways through which moisture may contact energized live parts shall be sealed or plugged at either or both ends".**
2. Mounts directly to a standard octagonal 4" wiring box (by others) recessed into wall or ceiling using mounting kit (supplied).
3. In conformance with U.L. Standards 1598, a silicone-based sealant **MUST** be used between the mounting plate edge and supporting wall.
4. LEDs are high-quality electronic components! Please avoid touching the light output opening of the LED directly during installation.
5. For ceiling and wall applications only.

**22 450 - installation:**

1. Loosen (4) 3mm housing hex screws and remove outer casting with lens attached.
2. Install (2) long 8-32 x 1 1/2" mounting screws (provided) in the back of the adapter plate as shown.
3. Attach adapter plate to wiring box using (2) 8-32 x 1/2" screws provided. Feed luminaire wires through luminaire base and adapter plate.
4. Make supply wiring and luminaire wiring connections inside the octagonal wiring box:  
 MAIN VOLTAGE SUPPLY WIRE TO BLACK LUMINAIRE WIRE  
 NEUTRAL (COMMON) SUPPLY WIRE TO WHITE LUMINAIRE WIRE  
 GREEN GROUND WIRE TO GREEN LUMINAIRE WIRE  
 Dimming (if applicable):  
 DIMMING CONTROL WIRE (+) TO POSITIVE DRIVER DIM CONTROL WIRE  
 DIMMING CONTROL WIRE (-) TO NEGATIVE DRIVER DIM CONTROL WIRE
5. Place a small bead of silicone around the back side of the luminaire base that will come in contact with the finished wall (exterior applications only).
6. Attach luminaire base to adapter plate over the mounting screw using the (2) acorn nuts provided in the mounting kit. Tighten the nuts to back the screws into the wiring box and secure the plate to the box.  
 IMPORTANT: note position of orientation arrow on mounting plate and install accordingly.
7. Replace outer casting and tighten (4) housing screws, making sure the gasket is sealed properly.

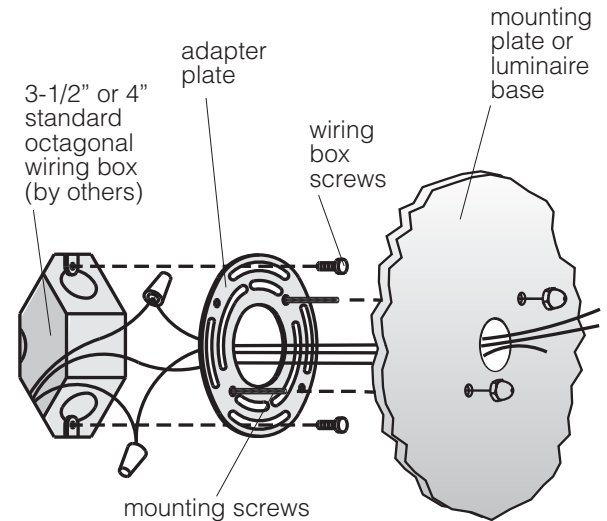


Figure 1: Generic Image

**Relamping/Maintenance**

No relamping required.

**Accessories**

Please refer to the appropriate accessory installation sheet for further instruction when applicable.

**Replacement Parts**

Description	Part No
Lens	11274811
Housing gasket	830531
LED Driver	76066
LED Module (4000K)	LED-0263/840
LED Module (3000K)	LED-0263/830

**Lamp:** 3.9W LED Module

In the interest of product improvement, BEGA reserves the right to make technical changes without notice.

**Product Safety Warnings:**

**THIS PRODUCT MUST BE INSTALLED IN ACCORDANCE WITH THE APPLICABLE INSTALLATION CODE BY A PERSON FAMILIAR WITH THE CONSTRUCTION AND OPERATION OF THE PRODUCT AND THE HAZARDS INVOLVED. SUITABLE FOR WET LOCATIONS.**

**MIN 90°C SUPPLY CONDUCTORS.**

**CE PRODUIT DOIT ÊTRE INSTALLÉ SELON LE CODE D'INSTALLATION PERTINENT, PAR UNE PERSONNE QUI CONNAÎT BIEN LE PRODUIT ET SON FONCTIONNEMENT AINSI QUE LES RISQUES INHÉRENTS. CONVIENT AUX EMPLACEMENTS MOUILLÉS.**

**LES FILS D'ALIMENTATION 90°C MIN.**

---