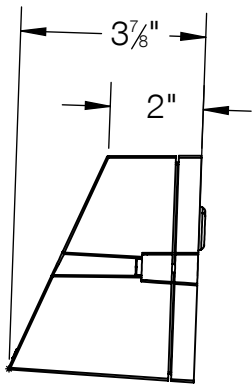
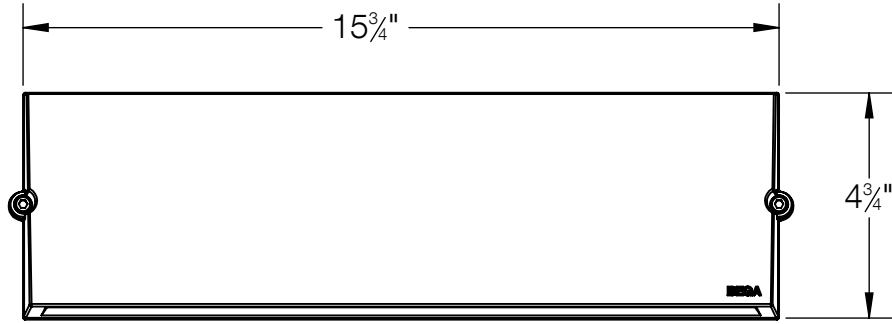
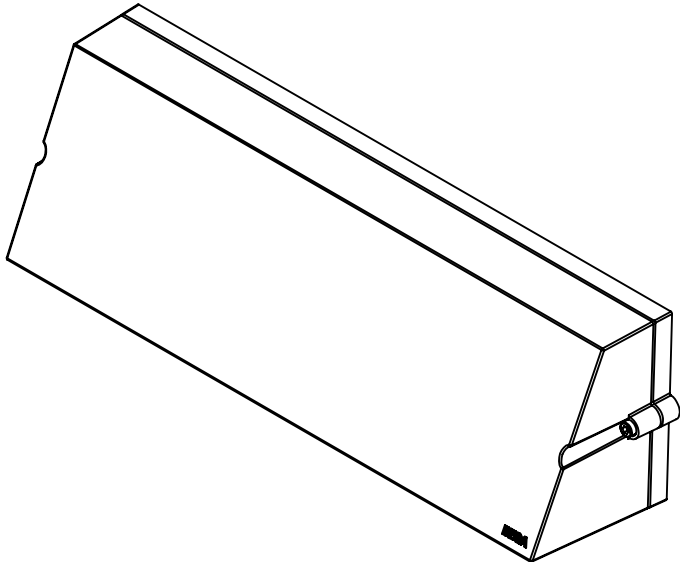
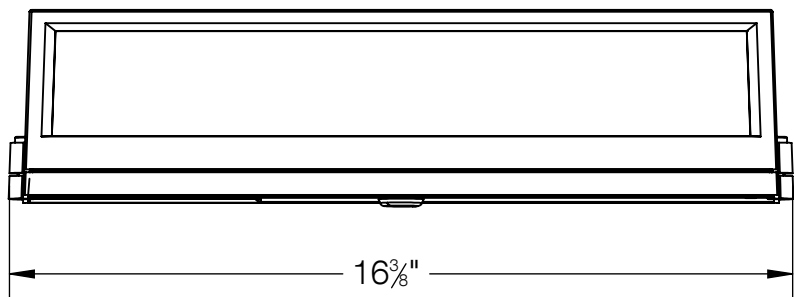


REV	CHANGED BY	DESCRIPTION	DATE



BEGA

1000 BEGA Way, Carpinteria, California 93013 P (805) 684-0533 - www.bega-us.com

APPROVED: _____ DATE: _____
 TYPE: _____

DESCRIPTION:
 Wall luminaire - Directed light

PROPRIETARY AND CONFIDENTIAL
 THE INFORMATION CONTAINED IN THIS DRAWING IS THE SOLE PROPERTY
 OF BEGA NORTH AMERICA, INC.
 ANY REPRODUCTION IN PART OR AS A WHOLE WITHOUT THE WRITTEN
 PERMISSION OF BEGA NORTH AMERICA, INC. IS PROHIBITED.

SIZE	PART NO.	REV
B	24 373	-
NOT TO SCALE	11/2/2020	SHEET 1 OF 1