

Tools Required:

- 3mm and 4mm Hex Key
- Philips medium screw driver
- Medium slotted screw driver



Dimensions

- A: 9-7/8"
- B: 4-7/8"



Protection Class: IP65

Weight: 4.41 lbs.

Notice to installer for 22 056:

1. See page 2 for specific product safety warnings.
2. **BEGA luminaires may be damaged if connected to conduit systems containing water - Article 300-5G of National Electric Code requires that "Conduits or raceways through which moisture may contact energized live parts shall be sealed or plugged at either or both ends".**
3. Backbox is Non-IC rated.
4. Suitable for all types of construction including poured concrete construction.
5. Back housing provided with (2) 7/8" holes (horizontal entry) for 1/2" trade size conduit.
6. Back housing must be installed so that the front face is flush with the finished wall.
7. Suitable for through wiring: max. of (4) No. 12 AWG conductors (plus ground) rated for 90° C.
8. Suitable for wall applications only. (No ceiling and in-grade applications).
9. Integral LED driver supplied with luminaire.
10. LEDs are high-quality electronic components! Please avoid touching the light output opening of the LED directly during installation.

BB2052LED back housing hollow wall (stud) construction installation (2" x 6" min.):

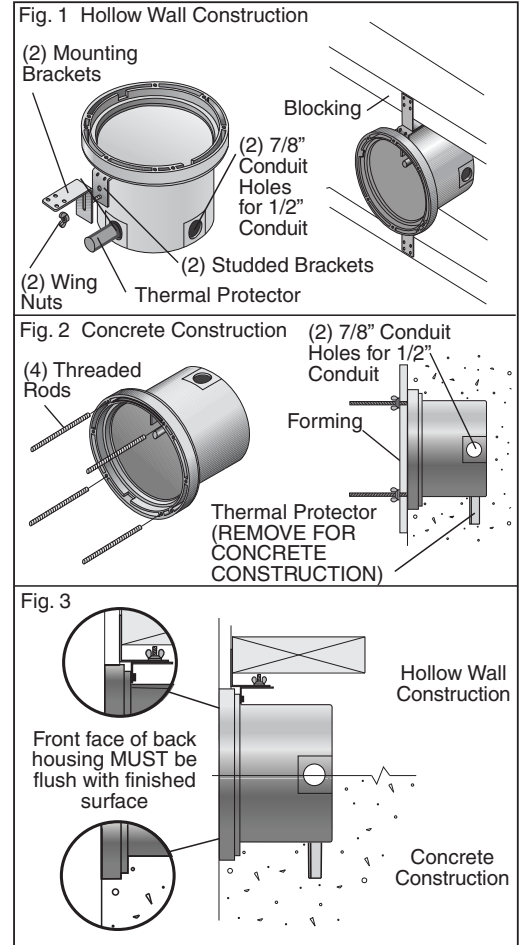
1. Install (2) sets of mounting brackets as shown: Attach the (2) brackets with studs to the housing using (2) 3mm hex head screws. Attach the (2) adjustable L-brackets to the installed brackets using (2) 6-32 wing nuts.
2. Orient back housing as directed on labels. Failure to do so will result in improper installation.
3. Connect conduit to back housing (horizontal) and pull wiring for connections to be made later.
4. Mount back housing to wood or metal blocking so that the front face of the back housing will be flush with the finished surface. Adjust the brackets by loosening wing nuts if needed.
5. Install splatter guard and finish wall.
6. Place a small bead of silicone between edge of housing and wall to provide seal.
7. Before continuing, remove splatter guard and debris from sealing surface.

BB2052LED back housing poured concrete construction installation:

1. Install (4) threaded rods into back housing.
2. Orient back housing as directed on labels. Failure to do so will result in improper installation.
3. Connect the conduit to the back housing (horizontal) and pull wiring for connections to be made later.
4. Attach back housing to form using (4) washers and wing nuts provided so that the front face of the back housing will be flush with the finished surface.
5. Pour concrete. NOTE: Do not pump or drop concrete directly on top of the back housing.
6. Remove form and install splatter guard to protect during construction.
7. Place a small bead of silicone between edge of housing and wall to provide a seal.
8. Before continuing, remove splatter guard and debris from the sealing surface.

22 056 installation:

1. Orient gear tray as directed on labels.
2. Make supply wiring connections to gear tray wires:
 - MAIN VOLTAGE SUPPLY WIRE TO BLACK DRIVER WIRE
 - NEUTRAL (COMMON) SUPPLY WIRE TO WHITE DRIVER WIRE
 - GREEN GROUND WIRE TO GREEN DRIVER WIRE
 Dimming (if applicable):
 - DIMMING CONTROL WIRE (+) TO POSITIVE DRIVER DIM CONTROL WIRE
 - DIMMING CONTROL WIRE (-) TO NEGATIVE DRIVER DIM CONTROL WIRE
3. Install gear tray in back housing using (2) 6-32 screws (provided).
4. Install faceplate. Make sure gasket is seated properly. Tighten (2) 4mm hex head screws evenly to secure.



Relamping/Maintenance

No relamping required.

Accessories

Please refer to the appropriate accessory installation sheet for further instruction when applicable.

Concrete Protection Cover 19 523

Replacement Parts

Description	Part No
Faceplate	FP22056
Gear tray	BP22056
Driver	75983-07
LED Module (3000K)	LED-0290/930
LED Module (4000K)	LED-0290/940

Lamp: 11.7W LED

In the interest of product improvement, BEGA reserves the right to make technical changes without notice.

Product Safety Warnings:

THIS PRODUCT MUST BE INSTALLED IN ACCORDANCE WITH THE APPLICABLE INSTALLATION CODE BY A PERSON FAMILIAR WITH THE CONSTRUCTION AND OPERATION OF THE PRODUCT AND THE HAZARDS INVOLVED. SUITABLE FOR WET LOCATIONS.

MIN 90° SUPPLY CONDUCTORS.

CE PRODUIT DOIT ÊTRE INSTALLÉ SELON LE CODE D'INSTALLATION PERTINENT, PAR UNE PERSONNE QUI CONNAÎT BIEN LE PRODUIT ET SON FONCTIONNEMENT AINSI QUE LES RISQUES INHÉRENTS.

CONVIENT AUX EMPLACEMENTS MOUILLÉS.

LES FILS D'ALIMENTATION 90°C MIN.
