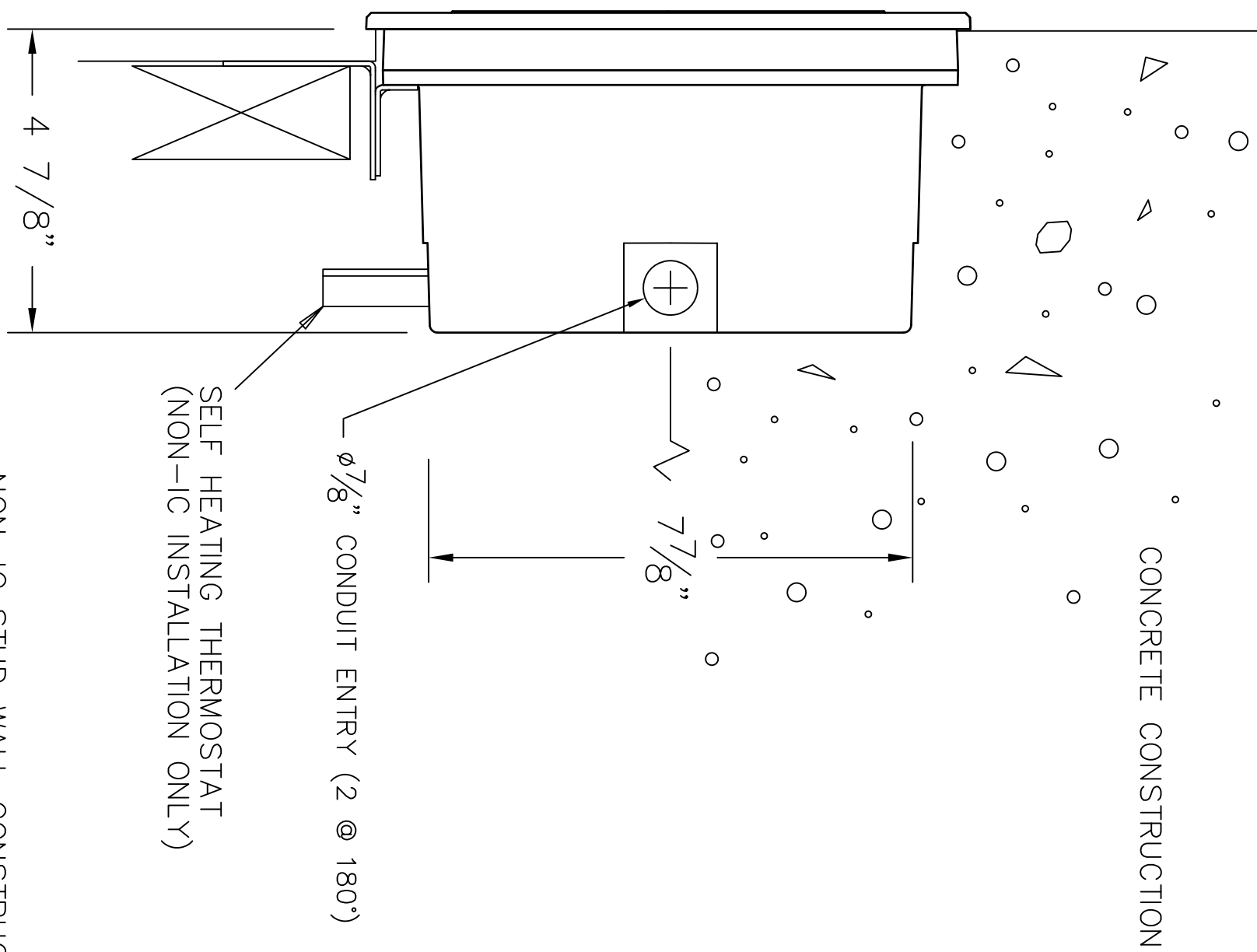
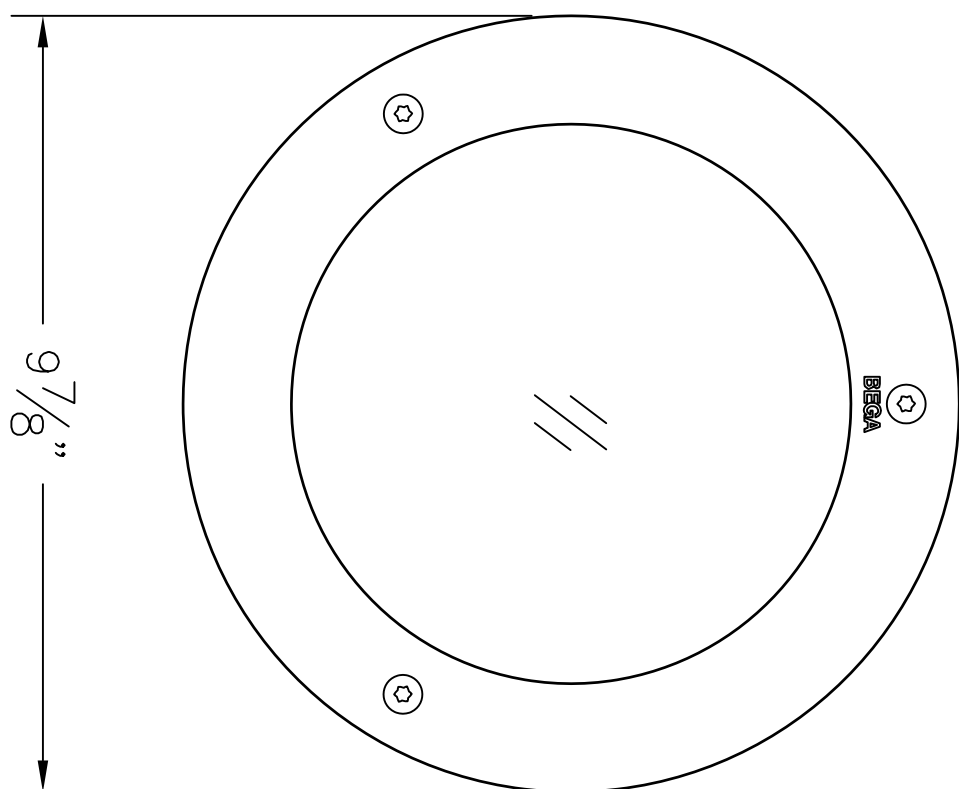


NOTES: LUMINAIRE # 22 056 - SEE SPECIFICATIONS



NON-IC STUD WALL CONSTRUCTION  
(MOUNTING BRACKETS INCLUDED)

**TYPE:** \_\_\_\_\_

<b>SUBMITTAL APPROVAL</b>			CAT NO.: <u>22 056</u>	<b>BEGA</b>
			PROJECT: <u>-</u>	
APPROVED BY: _____	LOCATION: <u>-</u>	DRAWN: <u>RA</u> DATE: <u>6/6/2017</u> FILE NAME: <u>22056.dxf</u>	1000 Bega Way Carpinteria, Ca. 93013 (805) 684-0533	
SIGNED: _____    DATE: _____				
REV.	DATE	DESCRIPTION		

This print contains confidential information which is the property of BEGA U.S. By acceptance this information, the borrower agrees that it will not be used for any other purpose other than that which is was loaned.